

" THE MATERIAL HEREIN IS FOR INFORMATION PURPOSES ONLY AND IS SUBJECT TO CHANGE WITHOUT NOTICE. DIGITAL EQUIPMENT CORPORATION ASSUMES NO RESPONSIBILITY FOR ANY ERRORS WHICH MAY APPEAR HEREIN."

TABLE OF CONTENTS

THIS DRAWING AND THE SPECIFICATIONS CONTAINED HEREIN ARE CONFIDENTIAL AND PROPRIETARY. THEY ARE THE PROPERTY OF DIGITAL EQUIPMENT CORPORATION AND SHALL NOT BE REPRODUCED OR COPIED OR USED IN WHOLE OR IN PART AS THE BASIS FOR THE MANUFACTURE OR SALE OF ITEMS WITHOUT WRITTEN PERMISSION. THIS IS AN UNPUBLISHED WORK PROTECTED UNDER THE FEDERAL COPYRIGHT LAWS. © 1982

FIELD MAINTENANCE PRINT SET

NOTE: THIS PRINT SET IS USED IN CONJUNCTION WITH MP-01061-00

UNIT VARIATIONS COVERED BY THIS PRINT SET

TA78-BF

TA78-BJ

FIELD MAINTENANCE PRINT SET

MP-01614

DIGITAL EQUIPMENT CORPORATION

REVISIONS	CHANGE NO.	REV.	INITIAL	A	USED ON OPTION/MODEL	DRN.	DATE	TITLE	digital	
	CHK	REV.				DATE	DATE			
						J. AMIDIO	7/84	TA78 MAINTENANCE PRINT SET		
						S. LUNKINS	7/84			
						S. LUNKINS	7/84			
						B. STEERE	7/84			
								SIZE CODE	NUMBER	REV.
								B TC	TA78-0-DBU	A
					SHEET 1 OF 2			DIST.		

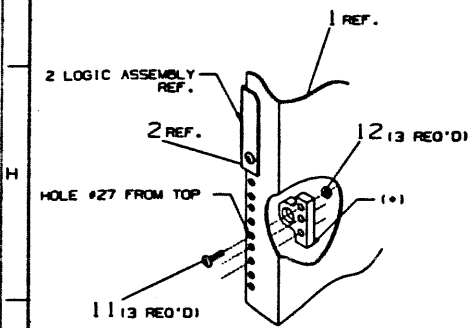
B-TC-TA78-0-1	TA78 TAPE DRIVE
E-UA-TA78-0-DBU	TA78 TAPE DRIVE
K-PL-TA78-0-DBP	TA78 TAPE DRIVE
D-CS-M8970-0-1	STI INTERFACE PROTOCOL MICRO
D-UA-M8970-0-0	STI INTERFACE PROTOCOL MICRO
K-PL-M8970-0-DBP	STI INTERFACE PROTOCOL MICRO
D-CS-M8971-0-1	STI INTERFACE BUS LOGIC
D-UA-M8971-0-0	STI INTERFACE BUS LOGIC
K-PL-M8971-0-DBP	STI INTERFACE BUS LOGIC
D-CS-M8972-0-1	8085 MICROCOMPUTER
D-UA-M8972-0-0	8085 MICROCOMPUTER
K-PL-M8972-0-DBP	8085 MICROCOMPUTER
D-CS-M8973-0-1	8085 EXT MEMORIC
D-UA-M8973-0-0	8085 EXT MEMORIC
K-PL-M8973-0-DBP	8085 EXT MEMORIC
E-1A-7020415-1-0	WIRED AND HARNESS ASSEMBLY
D-1A-7019745-0-DBU	SWITCH/BRACKET ASSEMBLY TA78
K-PL-7019745-0-DBP	SWITCH/BRACKET ASSEMBLY TA78

TITLE: TA78 MAINTENANCE PRINT SET	SHEET 2 OF 2	SIZE/CODE B TC	NUMBER TA78-0-DBU	REV. A
--------------------------------------	--------------	--------------------------	----------------------	-----------

THIS DRAWING AND THE INFORMATION CONTAINED HEREON ARE UNCLASSIFIED EXCEPT WHERE SHOWN OTHERWISE. THE AUTHORITY OF THIS CLASSIFICATION IS THE NATIONAL SECURITY AGENCY. THE DATE OF DECLASSIFICATION IS 01-01-2000. THE DATE OF REVIEW IS 01-01-2000. THIS IS AN UNCLASSIFIED COPY. PROTECTIVE CLASSIFICATION IS NOT APPLICABLE TO THIS COPY. THE ORIGINAL COPY IS IN THE NATIONAL ARCHIVES. THE ORIGINAL COPY IS IN THE NATIONAL ARCHIVES. THE ORIGINAL COPY IS IN THE NATIONAL ARCHIVES.

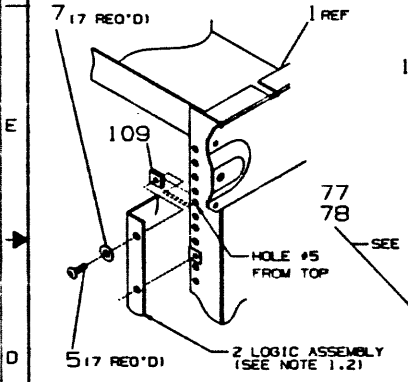
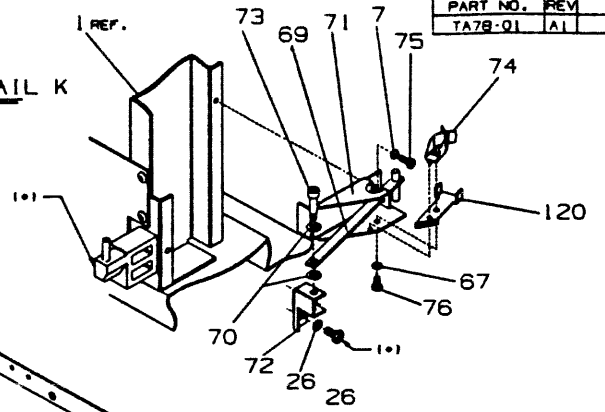
LEGEND		
PART NO.	REV	VARIATION
TA78-01	A1	AS SHOWN

- NOTES:**
- ITEM 2 OR 3 CONSISTS OF FIVE MAJOR ASSEMBLIES.
 - 1.1 TRANSPORT TAPE/FRONT PANEL ASSEMBLY.
 - 1.2 LOGIC ASSEMBLY.
 - 1.3 POWER/PNEUMATIC ASSEMBLY.
 - 1.4 AIR PRESSURE VALVE ASSEMBLY.
 - 1.5 MUFFLER ASSEMBLY.
 - 1.6 HEAT EXCHANGER ASSEMBLY.
 - ASSEMBLE POWER/PNEUMATIC ASSEMBLY INTO FRAME ASSEMBLY ITEM 1 PRIOR TO ANY OTHER ASSEMBLY TO MAINTAIN STABILITY, FOLLOWED BY LOGIC ASSEMBLY AND TRANSPORT TAPE/FRONT PANEL ASSEMBLY.
 - EXTENDED ARM STABILIZER ON RIGHT SIDE OF FRAME ASSEMBLY ITEM 1, ASSEMBLE STRIKE INTERLOCK ITEM 13 TO ROD INTERLOCK AS SHOWN. (SEE DETAIL "G")
 - REMOVE 1/4 TURN LATCH FROM PERTEC TRANSPORT TAPE ITEM 2 OR 3 AND INSTALL LATCH INTERLOCK ITEM 14 BETWEEN 1/4 TURN LATCH AND CASTING USING EXISTING HARDWARE AS SHOWN. (SEE DETAIL "H")
 - TORQUE REQUIREMENT PER ENG. SPEC. A-FS-7605328-0-0.
 - "SUPER BOND" (DEC NO. 4901157) USE A DROP IN EACH .093 HOLE (2) AFTER LOCATION OF INTERLOCK SWITCH BRACKET IS ESTABLISHED.

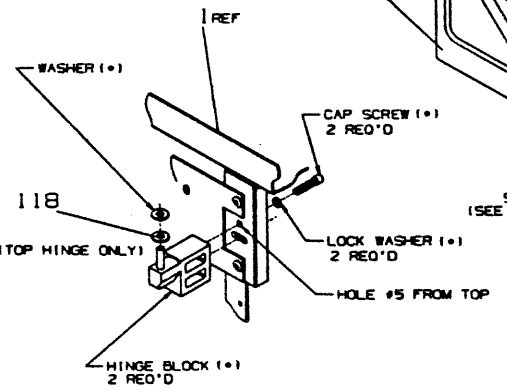


DETAIL T

DETAIL K

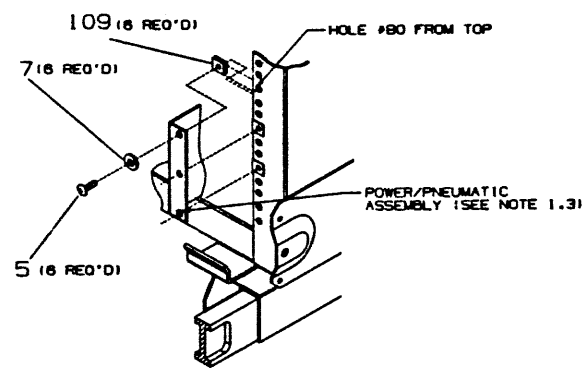
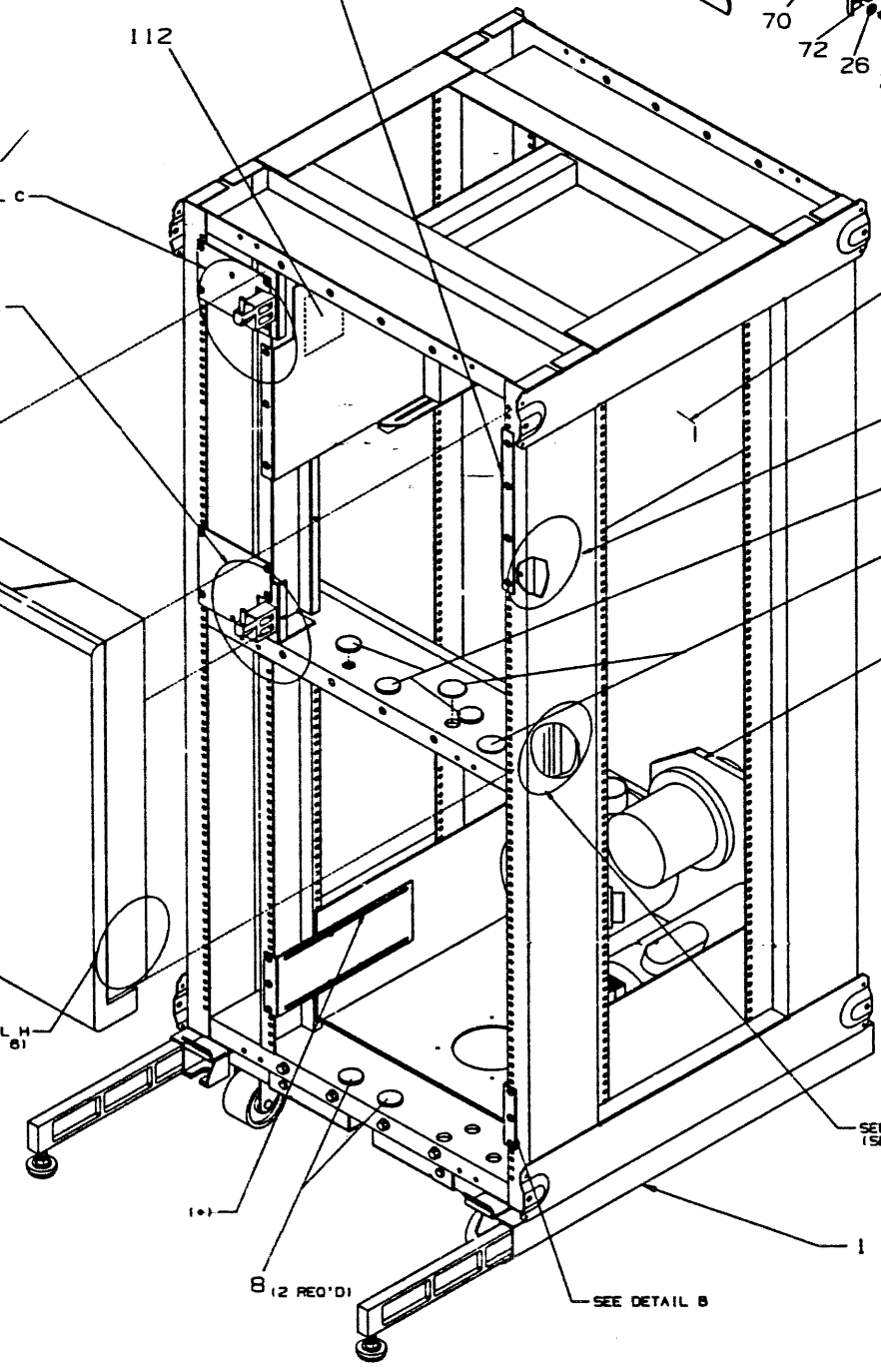


DETAIL A



DETAIL C
2 PLACES

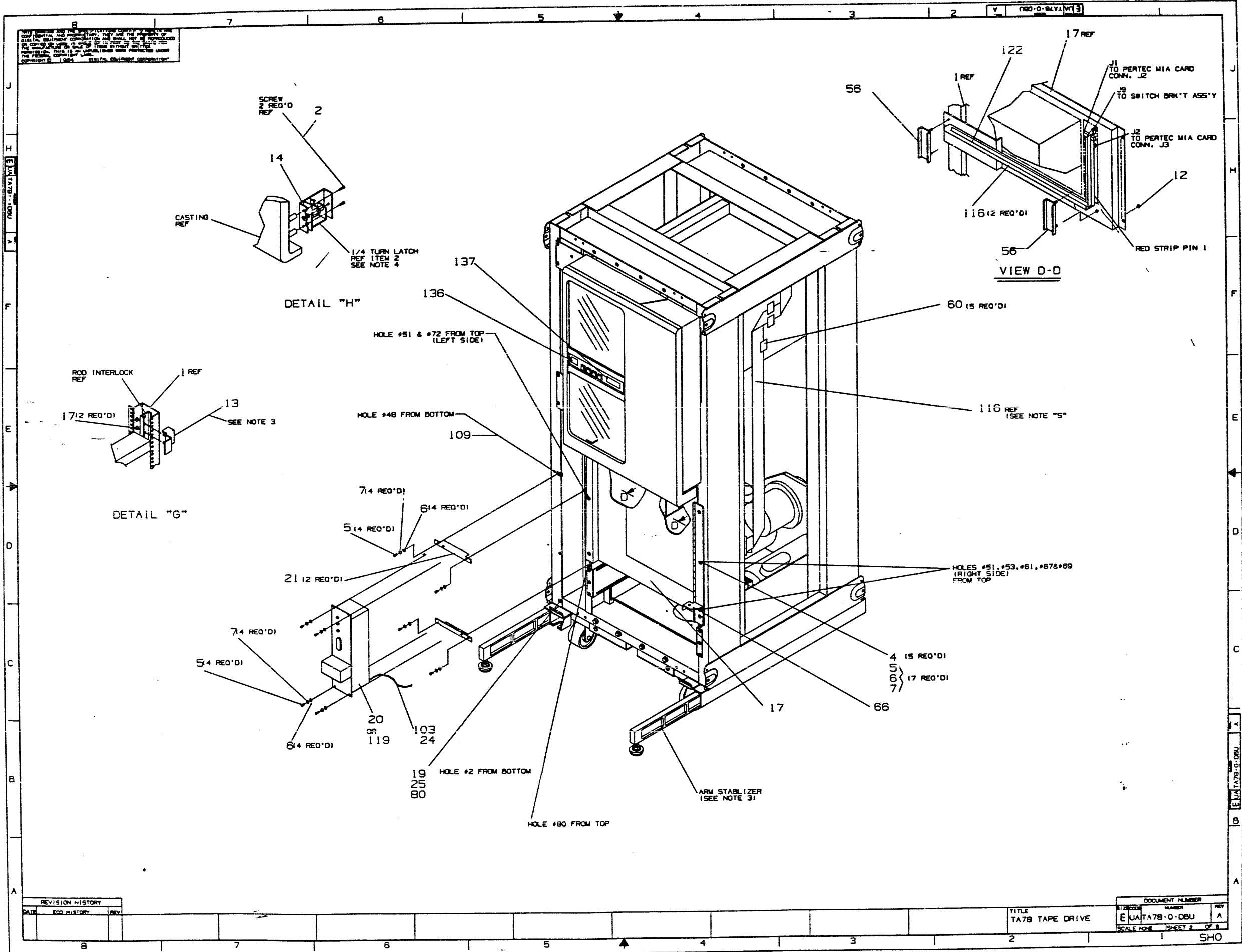
• ITEMS SUPPLIED WITH TAPE TRANSPORT



DETAIL B
8 PLACES

DESCRIPTION	QUANTITY	DRIVING NO.	PART NO.
UNLESS OTHERWISE SPECIFIED DIMENSIONS ARE IN INCHES AND THE FOLLOWING TOLERANCES APPLY (PER DEC STD 114)			
FRONT PANEL	1	1	1
LOGIC ASSEMBLY	2	2	2
POWER/PNEUMATIC ASSEMBLY	2	3	3
STRIKE INTERLOCK	1	4	4
HEAT EXCHANGER ASSEMBLY	1	5	5
MUFFLER ASSEMBLY	1	6	6
AIR PRESSURE VALVE ASSEMBLY	1	7	7
TRANSPORT TAPE/FRONT PANEL ASSEMBLY	2	8	8
EXTENDED ARM STABILIZER	1	9	9
HINGE BLOCK	2	10	10
WASHER	1	11	11
CAP SCREW	2	12	12
LOCK WASHER	2	13	13
HINGE BLOCK	2	14	14
HINGE BLOCK	2	15	15
HINGE BLOCK	2	16	16
HINGE BLOCK	2	17	17
HINGE BLOCK	2	18	18
HINGE BLOCK	2	19	19
HINGE BLOCK	2	20	20
HINGE BLOCK	2	21	21
HINGE BLOCK	2	22	22
HINGE BLOCK	2	23	23
HINGE BLOCK	2	24	24
HINGE BLOCK	2	25	25
HINGE BLOCK	2	26	26
HINGE BLOCK	2	27	27
HINGE BLOCK	2	28	28
HINGE BLOCK	2	29	29
HINGE BLOCK	2	30	30
HINGE BLOCK	2	31	31
HINGE BLOCK	2	32	32
HINGE BLOCK	2	33	33
HINGE BLOCK	2	34	34
HINGE BLOCK	2	35	35
HINGE BLOCK	2	36	36
HINGE BLOCK	2	37	37
HINGE BLOCK	2	38	38
HINGE BLOCK	2	39	39
HINGE BLOCK	2	40	40
HINGE BLOCK	2	41	41
HINGE BLOCK	2	42	42
HINGE BLOCK	2	43	43
HINGE BLOCK	2	44	44
HINGE BLOCK	2	45	45
HINGE BLOCK	2	46	46
HINGE BLOCK	2	47	47
HINGE BLOCK	2	48	48
HINGE BLOCK	2	49	49
HINGE BLOCK	2	50	50
HINGE BLOCK	2	51	51
HINGE BLOCK	2	52	52
HINGE BLOCK	2	53	53
HINGE BLOCK	2	54	54
HINGE BLOCK	2	55	55
HINGE BLOCK	2	56	56
HINGE BLOCK	2	57	57
HINGE BLOCK	2	58	58
HINGE BLOCK	2	59	59
HINGE BLOCK	2	60	60
HINGE BLOCK	2	61	61
HINGE BLOCK	2	62	62
HINGE BLOCK	2	63	63
HINGE BLOCK	2	64	64
HINGE BLOCK	2	65	65
HINGE BLOCK	2	66	66
HINGE BLOCK	2	67	67
HINGE BLOCK	2	68	68
HINGE BLOCK	2	69	69
HINGE BLOCK	2	70	70
HINGE BLOCK	2	71	71
HINGE BLOCK	2	72	72
HINGE BLOCK	2	73	73
HINGE BLOCK	2	74	74
HINGE BLOCK	2	75	75
HINGE BLOCK	2	76	76
HINGE BLOCK	2	77	77
HINGE BLOCK	2	78	78
HINGE BLOCK	2	79	79
HINGE BLOCK	2	80	80
HINGE BLOCK	2	81	81
HINGE BLOCK	2	82	82
HINGE BLOCK	2	83	83
HINGE BLOCK	2	84	84
HINGE BLOCK	2	85	85
HINGE BLOCK	2	86	86
HINGE BLOCK	2	87	87
HINGE BLOCK	2	88	88
HINGE BLOCK	2	89	89
HINGE BLOCK	2	90	90
HINGE BLOCK	2	91	91
HINGE BLOCK	2	92	92
HINGE BLOCK	2	93	93
HINGE BLOCK	2	94	94
HINGE BLOCK	2	95	95
HINGE BLOCK	2	96	96
HINGE BLOCK	2	97	97
HINGE BLOCK	2	98	98
HINGE BLOCK	2	99	99
HINGE BLOCK	2	100	100

REV	DESCRIPTION
1	INITIAL



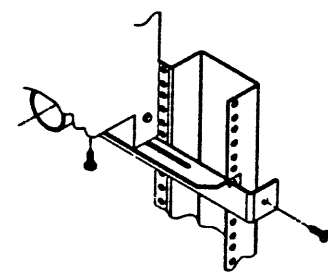
Copyright © 1964, IBM Corp. All rights reserved. This drawing is the property of IBM Corp. and is loaned to you for your use only. It is not to be reproduced, stored in a retrieval system, or transmitted in any form or by any means, electronic, mechanical, photocopying, recording, or by any information storage and retrieval system, without the prior written permission of IBM Corp.

REVISION HISTORY		
DATE	REV	DESCRIPTION

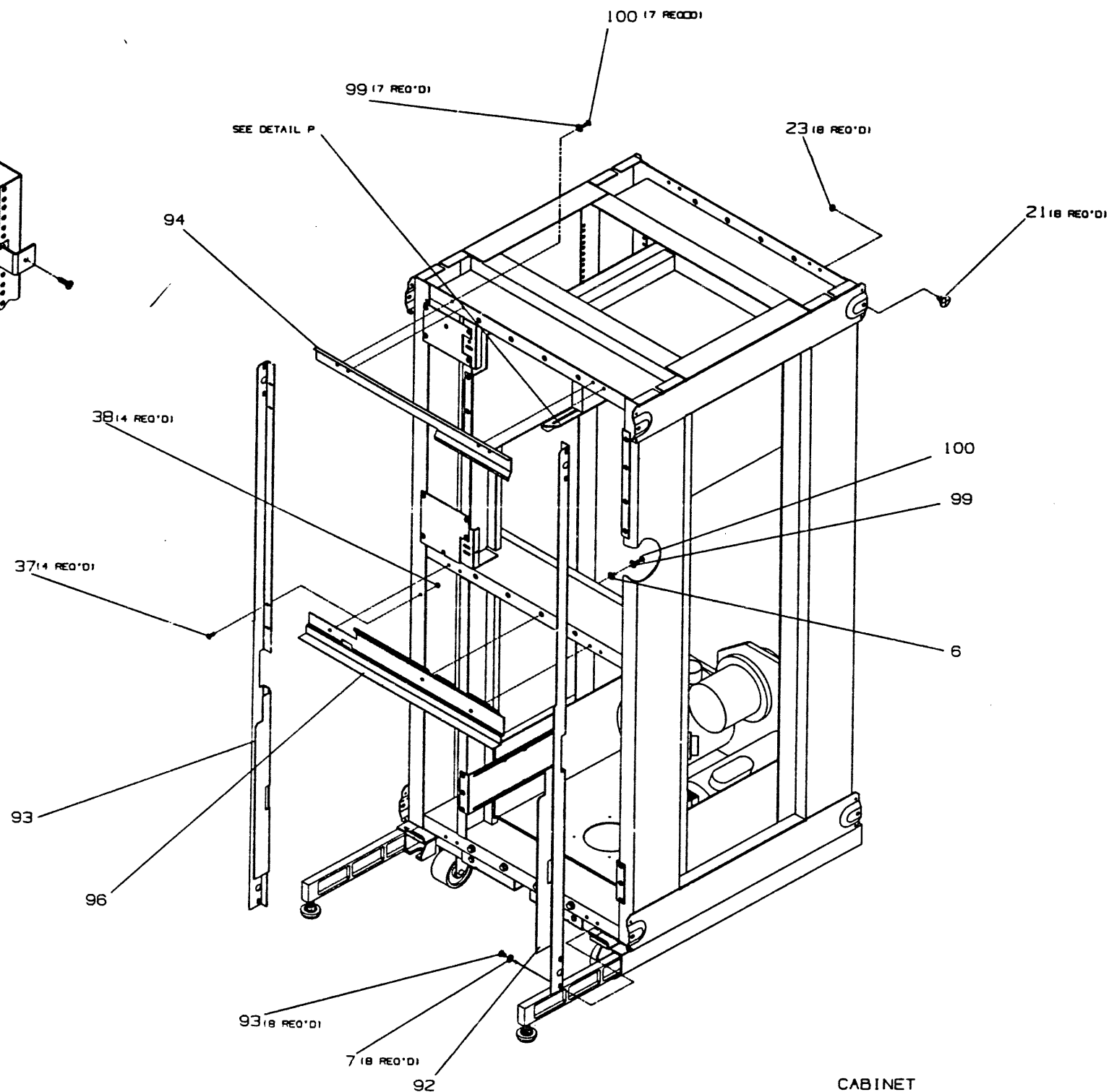
TITLE		DOCUMENT NUMBER	
TA7B TAPE DRIVE		EUA1A7B-0-DBU	
SCALE	SHEET	REV	OF
	2	A	3

THIS DRAWING IS THE PROPERTY OF THE UNITED STATES GOVERNMENT. IT IS TO BE REPRODUCED AND TRANSMITTED IN ANY FORM AND BY ANY MEANS, ELECTRONIC OR MECHANICAL, INCLUDING PHOTOCOPYING, RECORDING, OR BY ANY INFORMATION STORAGE AND RETRIEVAL SYSTEM, WITHOUT PERMISSION IN WRITING FROM THE NATIONAL BUREAU OF STANDARDS.

V 100-0-BLV1 (M3)



DETAIL P



CABINET
FRONT VIEW

REVISION HISTORY		
DATE	REV	DESCRIPTION

TITLE
 TA78 TAPE DRIVE

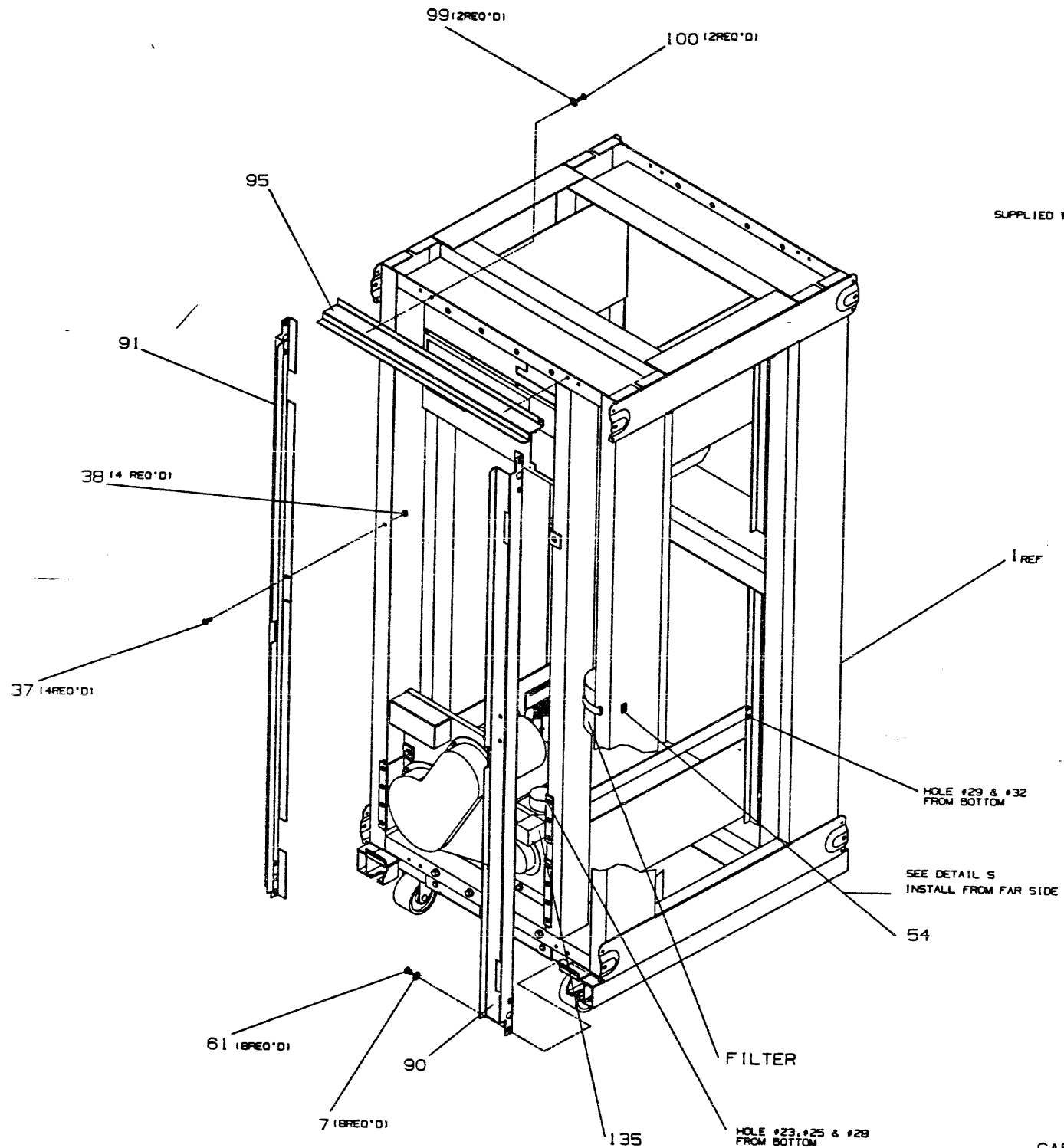
DOCUMENT NUMBER		
SYMBOL	NUMBER	REV
EUA	TA78-0-DBU	A

SCALE: NONE SHEET 1 OF 1

SHO

DO NOT SCALE DRAWING. DIMENSIONS ARE TO BE TAKEN FROM DIMENSION LINES. DIMENSIONS ARE TO BE TAKEN FROM DIMENSION LINES. DIMENSIONS ARE TO BE TAKEN FROM DIMENSION LINES. DIMENSIONS ARE TO BE TAKEN FROM DIMENSION LINES.

7-90-0-82V1 (V1) 3



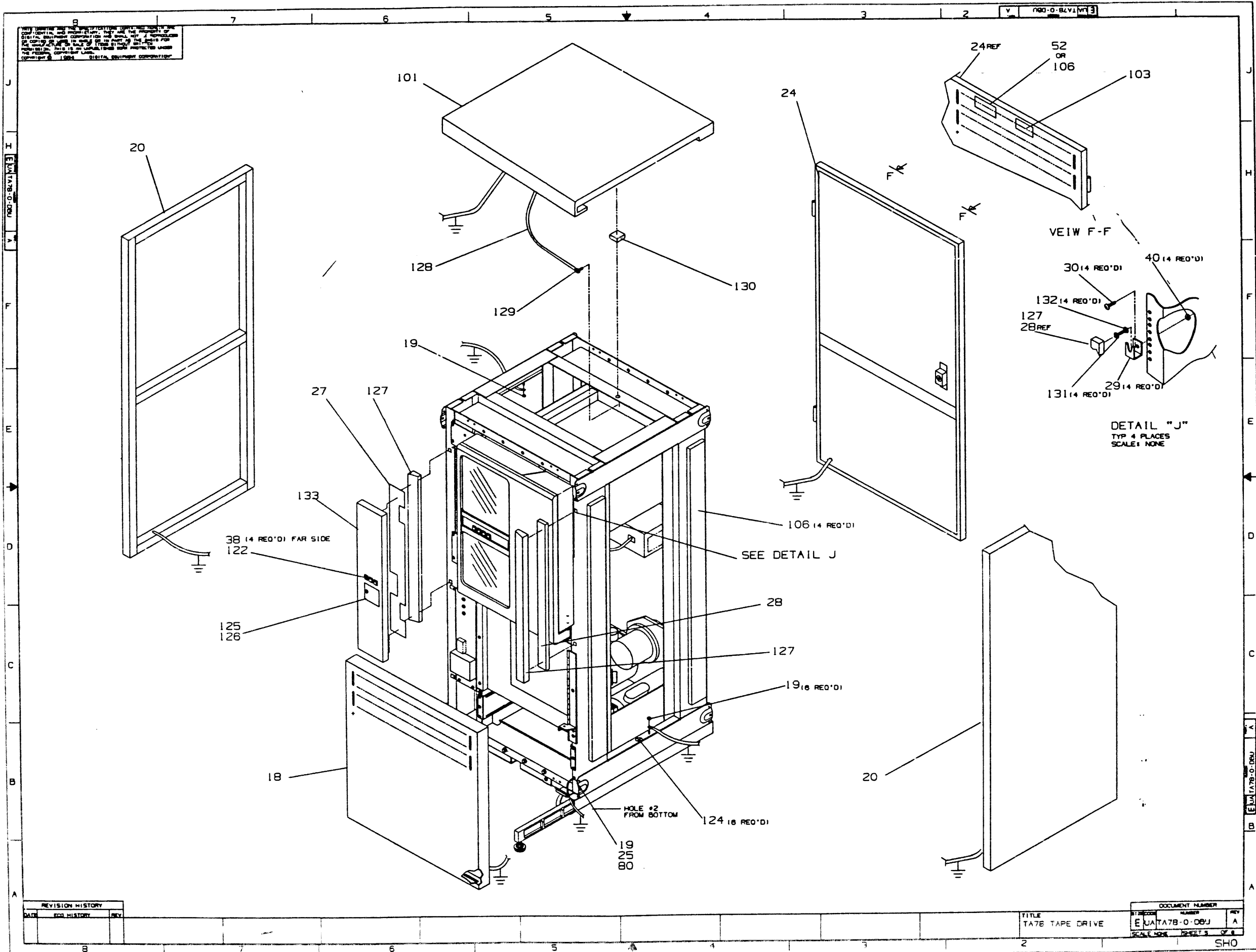
CABINET
REAR VIEW

REVISION HISTORY		
DATE	REV. HISTORY	REV.

TITLE TA7B TAPE DRIVE	DOCUMENT NUMBER EUA7A7B-0-DBU	REV A
SCALE NONE	SHEET 4	OF 6

SHO

THIS DRAWING AND INFORMATION CONTAINED HEREIN ARE UNCLASSIFIED EXCEPT WHERE SHOWN OTHERWISE. DATE 08-14-2013 BY 60322 UCBAW/ML/3

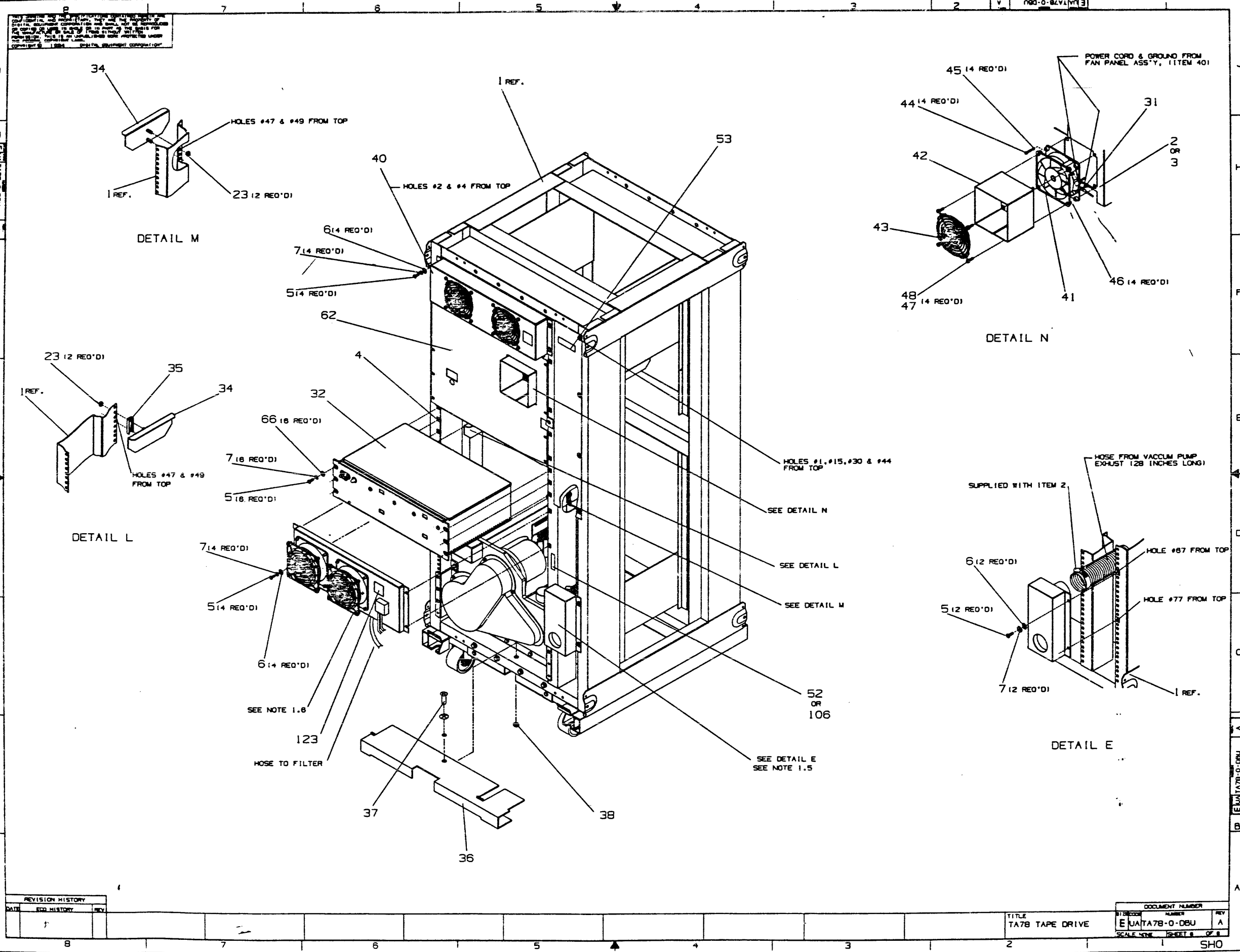


DETAIL "J"
TYP 4 PLACES
SCALE: NONE

REVISION HISTORY		
DATE	REV	DESCRIPTION

DOCUMENT NUMBER		TITLE	
REV	NUMBER	DESCRIPTION	SCALE
A	1	TA78 TAPE DRIVE	1:1

SHO



REVISION HISTORY
 DATE REV HISTORY REV

J
I
H
G
F
E
D
C
B
A

J
H
F
E
D
C
A

DATE	REV	HISTORY	REV

DOCUMENT NUMBER
 TA78 TAPE DRIVE
 E JATA78-0-DBU
 SCALE 1:1 SHEET 2 OF 2

SHO

LINE	ITEM	TOP DOCUMENT	PART NUMBER	MIN REV	DESCRIPTION	QTY PER VARIATION	
						BF	BJ
					VARIATION REVISION LEVEL:	N/A	N/A
1	1	E-AD-7011588-0-0	7011588-09		FRAME ASSY SINGLE HIBOY	1	1
2	2	A-PS-3017189-0-0	3017189-00		TAPE TRANSPORT,TU78 9TRK	1	1
3	3	E-AD-2200020-0-0	2200020-16		TU78 50HZ 0-2KFT ALT. KIT	-	1
4	4		9007786-00		RETAINER,U-NUT 10-32X	5	5
5	5		9006074-03		SCREW,MACH TRUSS PHIL 10-	62	62
6	6		9006668-00		WASHER,FLAT SST	47	47
7	7		9007651-00		WASHER,LOCK EXTERNAL STEEL	89	89
8	8		9007060-00		PLUG,BUTTON 0.500HOLE BRASS	5	5
9	9		9007062-00		PLUG,BUTTON 0.625HOLE BRASS	2	2
10	10	A-PS-1214405-0-0	1214405-00		DOOR,TAPE TRANSPORT,FRONT,NORYL,	1	1
11	11		9006075-03		SCREW,MACH TRUSS PHIL 10-	14	14
12	12		9006565-00		NUT,HEX EXT TOOTH/LCKWSHR 10-32	12	12
13	13	C-IA-7419081-0-0	7419081-00		STRIKE INTERLOCK	1	1
14	14	C-MD-7419082-0-0	7419082-00		LATCH INTERLOCK	1	1
15	15	SEE NOTE 1	00874-E		220-240V 24A FILTERED PWR CONT,6	1	1
16	16	C-IA-7423395-0-0	7423395-00		BKT SUPPORT	2	2
17	17		TS78 -BB		DUAL ACCESS STI GCR,PE FORMATTER	1	1
18	18	D-IA-7017557-0-0	7017557-00		COVER ASSY FRONT WITH FOAM	1	1
19	19		9008203-01		NUT,HEX EXT TOOTH LCKWSHR 1/4-20	6	6
20	20	E-IA-7011509-0-0	7011509-00		END PANEL ASSY HIBOY	2	2
21	21	C-MD-7414318-0-0	7414318-00		KEY BUTTON	8	8
22	22	SEE NOTE 2	9006676-00		WASHER,FLAT SST	8	8
23	23		9007897-00		NUT,HEX EXT TOOTH LOCKWSHR1/4-20	4	4
24	24	E-IA-7014175-0-0	7014175-01		DOOR ASSY REAR (SINGLE HIBOY)	1	1
25	25		9006056-01		SCREW,MACH PAN PHIL 1/4-	3	3
26	26		9007797-00		WASHER,HELICAL SPLIT SST	6	6
27	27	C-MD-7422571-0-0	7422571-00		FILLER DECORATIVE	1	1
28	28	C-MD-7422930-0-0	7422930-00		RT SIDE DECSTRIP	1	1
29	29	B-MD-7422258-0-0	7422258-00		CLIP	4	4
30	30		9006024-03		SCREW,MACH TRUSS PHIL 6-	4	4

REVISION HISTORY		BASIC PART NO: TA78		DRN: J. AMIDIO	DATE: 05-JUL-84	D I G I T A L		
ENG:	ECO NUMBER	REV	SECTION A OF A	CHK'D: S. LUNKINS	DATE: 02-OCT-84	TITLE PARTS LIST		
---	INITIAL	A	SECTION VARIATION INDEX [A]BF,BJ	DES.ENG: D. CHRISTMAN	DATE: 02-OCT-84	DOCUMENT NUMBER		
			[B]	RESP.ENG.: S. LUNKINS	DATE: 02-OCT-84	SIZE	CODE	NUMBER
			[C]	MFG.ENG.: M. RICCITELLI	DATE: 02-OCT-84	K	PL	TA78-0-DBP
			[D]	ASSEMBLY NUMBER: E-UA-TA78-0-0	TOP DOCUMENT NUMBER:	RELEASE DATE: 03-OCT-84		REV
			[E]			FILE NAME:	EDIT #	
			[F]			SH102A.PLS	21	

"THIS DRAWING AND THE SPECIFICATIONS CONTAINED HEREIN ARE CONFIDENTIAL AND PROPRIETARY. THEY ARE THE PROPERTY OF DIGITAL EQUIPMENT CORPORATION AND SHALL NOT BE REPRODUCED OR COPIED OR USED IN WHOLE OR IN PART AS THE BASIS FOR THE MANUFACTURE OR SALE OF ITEMS WITHOUT WRITTEN PERMISSION. THIS IS AN UNPUBLISHED WORK PROTECTED UNDER THE FEDERAL COPYRIGHT LAWS."

LINE	ITEM	TOP DOCUMENT	PART NUMBER	MIN REV	DESCRIPTION	QTY PER VARIATION	
						BF	BJ
						N/A	N/A
31	31		9006560-00		NUT,HEX EXT TOOTH LCKWSHR 6-32	45	54
32	32	C-IA-7017121-0-1	7017121-01		TM78 POWER SUPPLY (240V)	1	1
33	33	A-PS-1212972-0-0	1212972-02		SPRING,RECEPTACLE 1.04 WDX1.5	1	1
34	34	C-IA-7423394-0-0	7423394-00		P/S SUPPORT	2	2
35	35	C-MD-7423396-0-0	7423396-00		SPACER SUPPORT	1	1
36	36	D-IA-7422948-0-0	7422948-00		SAFETY FLOOR EXTN	1	1
37	37		9006039-03		SCREW,MACH TRUSS PHIL 8-	5	5
38	38		9006563-00		NUT,HEX EXT TOOTH LCKWSHR 8-32	9	9
39	39		9006370-08		SCREW,CAP SOC HEX 1/4-	4	4
40	40	E-AD-7017143-0-0	7017143-00		FAN ASSEMBLY TU78	1	1
41	41	A-PS-1217916-0-0	1217916-02		FAN,TUBE AXIAL 4.5" 120CFM 230V	1	1
42	42	D-MD-7423407-0-0	7423407-00		AIR DUCT	1	1
43	43	A-PS-1210263-0-0	1210263-00		GUARD,FINGER 4.125 X 4.125 MTG H	1	1
44	44		9006331-08		SCREW,CAP SOC HEX 6-	4	4
45	45		9007801-00		WASHER,HELICAL SPLIT SST	4	4
46	46		9009165-00		CLIP, FAN MOUNTING (12-05033 FAN	4	4
47	47		9006659-00		WASHER,FLAT S/PAS	5	5
48	48		9006026-01		SCREW,MACH PAN PHIL 6-	4	4
49	49	SEE NOTE 2	BC26V-25		SI CABLE,25FT,4 COAX SHIELDED	2	2
50	50	C-MD-7423392-0-0	7423392-00		STOP FORMATTER	1	1
51	51		7414213-00		STICKER VT50 UL	0	1
52	52	A-PS-3617674-0-0	3617674-01		LABEL,SERIAL/POWER W UL & CSA	2	-
53	53	A-PS-3615710-0-0	3615710-00		LABEL,PAPER FORM FEED	1	1
54	54		9007867-00		MOUNT, PUSH,CABLE TIE	15	15
55	55		9007032-00		TIE,CABLE BUNDL.DIA 0-1-3/4"=101	23	23
56	56	C-IA-7423398-0-0	7423398-00		C/CABLE	2	2
57	57	C-MD-7423397-0-0	7423397-00		GUARD CABLE	1	1
58	58	D-IA-7017381-0-0	7017381-07		FLAT CABLE ASSY	REF	REF
59	59		9008203-00		NUT,HEX EXT TOOTH LCKWSHR 1/4-20	8	8
60	60		9009636-00		CLAMP, CABLE, FOR FLAT CABLE	9	9
61	61		9006071-03		SCREW,MACH TRUSS PHIL 10-	15	15
62	62	D-IA-7017558-0-0	7017558-00		PANEL ASSY REAR WITH FOAM	1	1
63	63	D-IA-7017559-0-0	7017559-00		BAFFLE ASSY REAR WITH FOAM	1	1
64	64	C-IA-7415578-0-0	7415578-00		GROUND STRAP	1	1
65	65		9007089-00		CLAMP,CABLE,SCREW MTD. 3/4 "	1	1
66	66		9006664-00		WASHER,FLAT SST	7	7
67	67	A-PS-1217720-0-0	1217720-03		FOAM,ACOUSTIC,ADH BACK,48.0X4.0X	4	4
68	68		9007906-00		WASHER,HELICAL SPLIT STEEL	1	1
69	69		7424633-00		BAR,SLIDE ASSY	1	1
70	70		7424634-00		BRKT,DOOR PIVOT	1	1
71	71		7424635-00		BRKT,FRAME DOOR	1	1
72	72		9006714-00		WASHER,FLAT NYLON	2	2
73	73	A-PS-1217875-0-0	1217875-00		SCREW,SHLD CAP SOC 10-	1	1
74	74		9006073-01		SCREW,MACH PAN PHIL 10-	2	2
75	75		9010251-00		LOCK,SPRING	1	1
76	76		9008010-01		SCREW,MACH PAN PHIL 10-	1	1
77	77		7424075-00		BRACKET, SAFETY INTERLOCK SW.	1	1
78	78		4901157-00		ADHESIVE,ACRYLIC RESIN,ETHYL CYA	A/R	A/R

D	I	G	I	T	A	L	TITLE	SECTION A	OF	A	SIZE	CODE	DOCUMENT NUMBER	REV
							TA78 TAPE DRIVE				K	PL	TA78-0-DBP	A

LINE	ITEM	TOP DOCUMENT	PART NUMBER	MIN REV	DESCRIPTION	QTY PER VARIATION	
						BF	BJ
						N/A	N/A
79	79	SEE NOTE 2	1218197-00		SCREW, THUMB CAP SOC 1/4-20	4	4
80	80	SEE NOTE 2	9006724-00		WASHER, LOCK EXTERNAL STEEL	1	1
81	81	SEE NOTE 2	2200011-00		CLEANING KIT, DEC MAGTAPE	1	1
82	82	SEE NOTE 2	3018709-08		TAPE, MAGNETIC .5" 2400' TAPE SEAL	1	1
83	83	SEE NOTE 2	1700199-04		PWR CORD, TERM 3-1.5 MM 250	1	1
84	84	SEE NOTE 2	EK0TA78-UG		TA78 MAGNETIC TAPE DRIVE USERS G	1	1
85	85	A-PS-3617878-0-0	3617878-01		LABEL, MID REEL LOAD	1	1
86	86	A-PS-3618036-0-0	3618036-01		LABEL, FOUR LANGUAGES	1	1
87	87	SEE NOTE 2	9009025-00		WASHER, FLAT SST	4	4
88	88	SEE NOTE 2	3616378-00		LABEL, INDENT. "47-00038	1	1
89	89	A-PS-3618429-0-0	3618429-01		LABEL, TAPE THREAD 'G INSTRUCTIONS	1	1
90	90	E-MD-7425628-0-0	7425628-00		SEAL, REAR DOOR EM1	1	1
91	91	E-MD-7425628-0-1	7425628-01		SEAL, REAR DOOR, EM1	1	1
92	92	E-MD-7425629-0-0	7425629-00		SEAL, FRONT COVER EM1	1	1
93	93	E-MD-7425629-0-1	7425629-01		SEAL, FRONT COVER, EM1	1	1
94	94	E-MD-7425631-0-0	7425631-00		SEAL, FRONT TOP EM1	1	1
95	95	E-MD-7425632-0-0	7425632-00		SEAL, TOP COVER REAR EM1	1	1
96	96	E-MD-7425633-0-0	7425633-00		SEAL, FRONT CAB CENTER EM1	1	1
97	97		9007035-00		GROMMET, CATERPILLAR POLYAMIDE	1	1
98	98		9006073-03		SCREW, MACH TRUSS PHIL 10-	1	1
99	99		9007649-00		WASHER, LOCK EXTERNAL STEEL	9	9
100	100		9006021-03		SCREW, MACH TRUSS PHIL 6-	9	9
101	101		7018620-00		TOP COVER (REWORK EMT)	1	1
102	102	SEE NOTE 2	3618307-05		ASSY, 04, 01	1	-
103	103	A-PS-3617880-0-0	3617880-03		LABEL, FCC, CLASS A, PERIPHERAL	1	-
104	104	SEE NOTE 2	9905734-01		STRAPPING, POLYESTER	A/R	A/R
105	105		3618694-01		LABEL, ATTENTION ALTI. RANGE TU78	1	1
106	106		3617674-00		LABEL, SERIAL/POWER W/O UL + CSA	-	2
107	107		9009617-00		TIE, CABLE BUNDL. DIA 0-3" TYPE=101	5	5
108	108		9007786-01		RETAINER, U-NUT 10-32X	58	58
109	109		9009357-00		TAPE, MASKING ADH 2.0 WDX .00	A/R	A/R
110	110		9009341-00		TAPE, MASKING ADH 1.0 WDX .00	A/R	A/R
111	111		3618844-01		LABEL, SERVICE TU78	1	1
112	112		9006072-03		SCREW, MACH TRUSS PHIL 10-	1	1
113	113	A-PS-3700690-0-0	3700690-02		PKG CABINET H9600 MAGTAPE SERIES	1	1
114	114		BC06R-08		BC06R I/O CABLE	2	2
115	115		9007086-00		CLAMP, CABLE, SCREW MTD. 9/16"	1	1
116	116		9008415-00		WASHER, FLAT SST	3	3
117	117	SEE NOTE 1	00872-E		240V 24A FILTERED POWER CONTROL	1	1
118	118		7426633-01		SPRING, RETAINER	1	1
119	119		TA78 -BF		STI DUAL ACCESS MASTER TU78: TU7	REF	REF
120	120		7019745-00		BRKT/SWITCH ASSY	1	1
121	121		3610267-00		LABEL, DANGER HIGH VOLTAGE, SMOOTH	1	1
122	122		3612680-00		DECAL, GROUND SIGN PER 3E6 *	7	7
123	123		1215726-04		FASTENER, 1/4 TURN HEX	1	1
124	124		1215728-00		FASTENER, STANDARD SNAP RING	1	1
125	125		1212964-03		MOLDING, TRIM STRIP 26"W/FINISH	2	2
126	126		1212907-00		CABLE ASSY, NYLON, 6" LG, UNCRIMPED	1	1

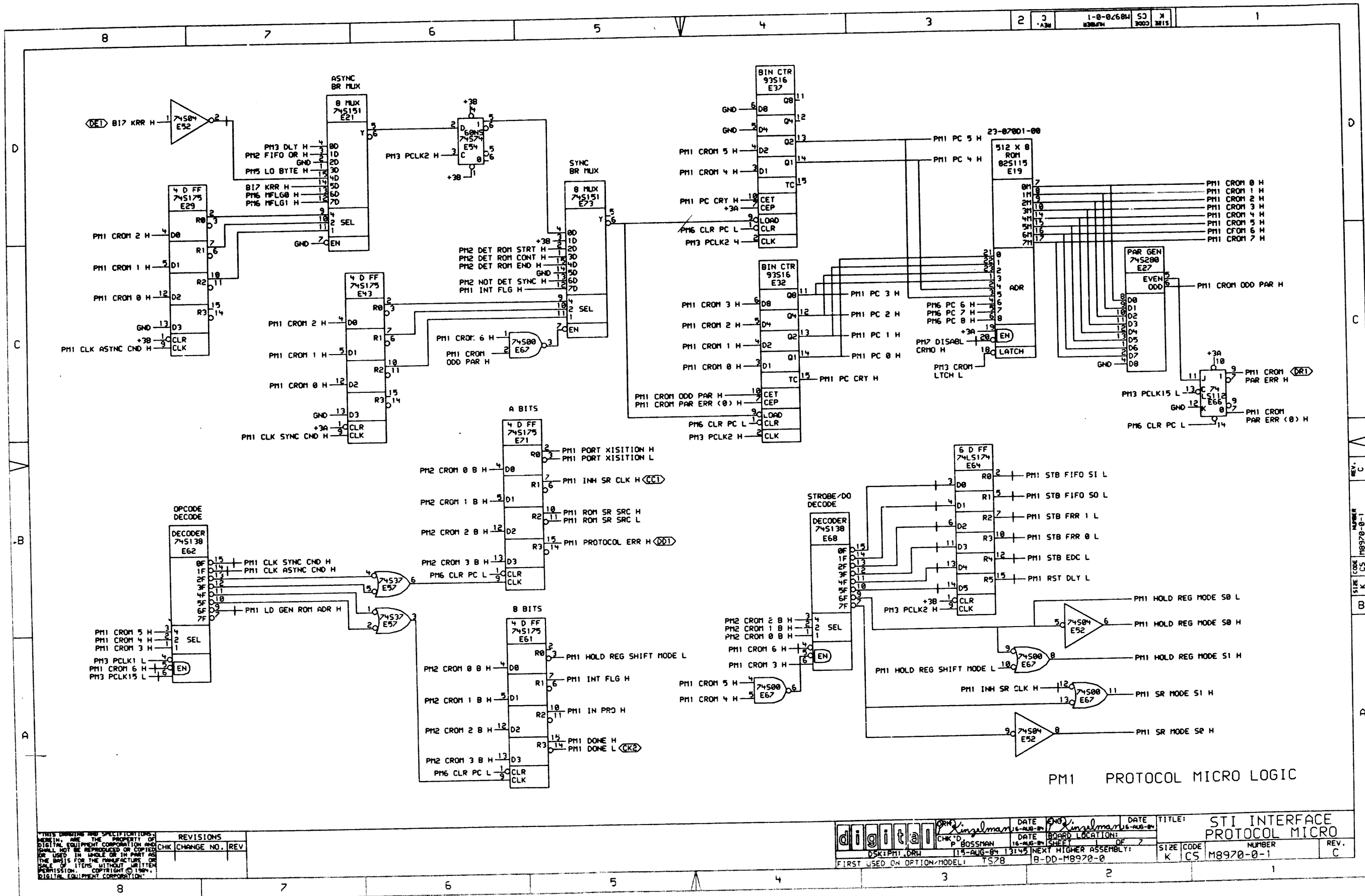
D	I	G	I	T	A	L	TITLE	SECTION A	OF	A	SIZE	CODE	DOCUMENT NUMBER	REV
							TA78 TAPE DRIVE				K	PL	TA78-0-DBP	A

LINE	ITEM	TOP DOCUMENT	PART NUMBER	MIN REV	DESCRIPTION	QTY PER VARIATION	
						BF	BJ
					VARIATION REVISION LEVEL:	N/A	N/A
127	127		9009157-00		ADH,LIQ.RM.TEMP CURING COLORLESS	A/R	A/R
128	128		9008264-00		MOUNT, CABLE TIE, ADHESIVE BACKE	8	8
129	129		9008079-00		WASHER,FLAT FIBRE	4	4
130	130		9010116-00		SCREW,TAP TRUSS PHIL THD RL 6-	4	4
131	131		7019747-00		PANEL (WELDMENT)	1	1
132	132	SEE NOTE 2	9905016-10		CARTON,DIE CUT,W/O FOAM,C,275SW	1	1
133	133	SEE NOTE 2	3621039-01		LABEL,TA78 NUMBERS	1	1
134	134		3621228-01		LABEL,MODE TA78	1	1
135	135		3621229-01		LABEL,LOGO TA78	1	1
136	136		9006633-00		WASHER,LOCK INTERNAL STEEL	1	1
137	137		9007083-00		CLAMP,CABLE,SCREW MTD. 3/8 "	1	1
138	138	SEE NOTE 2	9007600-00		FOOT, LEVELER, CUSHION, 1/2-13,	4	4
139	139	SEE NOTE 2	MP01614-00		F.M.P.S. TA78	1	1
140	140	SEE NOTE 2	MP01061-00		F.M.P.S. TU78-0	1	1
141	141		7021760-01		STI CABLE ASSY	1	1
142	142		9000049-23		SCREW,SEMS PAN PHIL 6-	2	2

143 NOTE: 1 ITEM 15 (874-E) OR ITEM 119 (872-E) MAY BE USED, BOTH ARE ACCEPTABLE

144 NOTE: 2 REFER TO PACKAGING #37-00690-02

D	I	G	I	T	A	L	TITLE	SECTION A	OF	A	SIZE	CODE	DOCUMENT NUMBER	REV
							TA78 TAPE DRIVE				K	PL	TA78-0-DBP	A



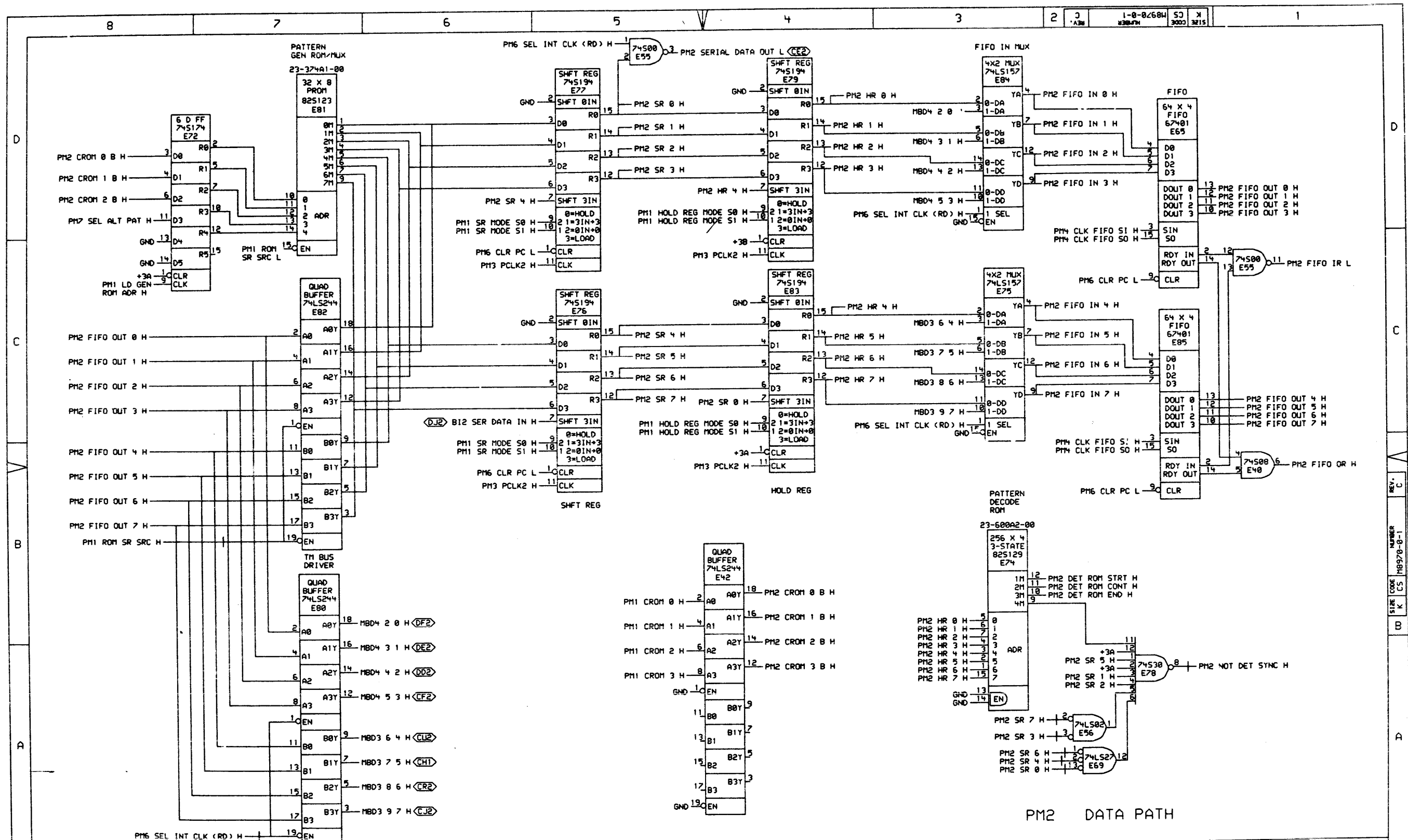
PM1 PROTOCOL MICRO LOGIC

THIS DRAWING AND SPECIFICATIONS HEREIN ARE THE PROPERTY OF DIGITAL EQUIPMENT CORPORATION AND SHALL NOT BE REPRODUCED OR COPIED OR USED IN WHOLE OR IN PART AS THE BASIS FOR THE MANUFACTURE OF SALE OR ITEMS WITHOUT WRITTEN PERMISSION. COPYRIGHT © 1984 DIGITAL EQUIPMENT CORPORATION.

REVISIONS		
CHK	CHANGE NO.	REV

digital	DATE: 15-AUG-84	DATE: 16-AUG-84	TITLE: STI INTERFACE
DSK1PM1.DRW	CHK'D: BOSSMAN	DATE: 16-AUG-84	BOARD LOCATION: SHEET 7
FIRST USED ON OPTION/MODEL: TS78	DATE: 15-AUG-84	DATE: 16-AUG-84	DATE: 16-AUG-84
	NEXT HIGHER ASSEMBLY: B-DD-M8970-0		

SIZE	CODE	NUMBER	REV.
K	CS	M8970-0-1	C



THIS DRAWING AND SPECIFICATIONS ARE THE PROPERTY OF DIGITAL EQUIPMENT CORPORATION AND SHALL NOT BE REPRODUCED OR COPIED OR USED IN WHOLE OR IN PART FOR ANY OTHER PROJECT WITHOUT THE WRITTEN PERMISSION OF DIGITAL EQUIPMENT CORPORATION.

REV.	NO.	DATE	BY	CHK'D	DATE	BY
1	1	15-AUG-84	P. BOSSMAN		15-AUG-84	P. BOSSMAN

REV.	NO.	DATE	BY	CHK'D	DATE	BY
1	1	15-AUG-84	P. BOSSMAN		15-AUG-84	P. BOSSMAN

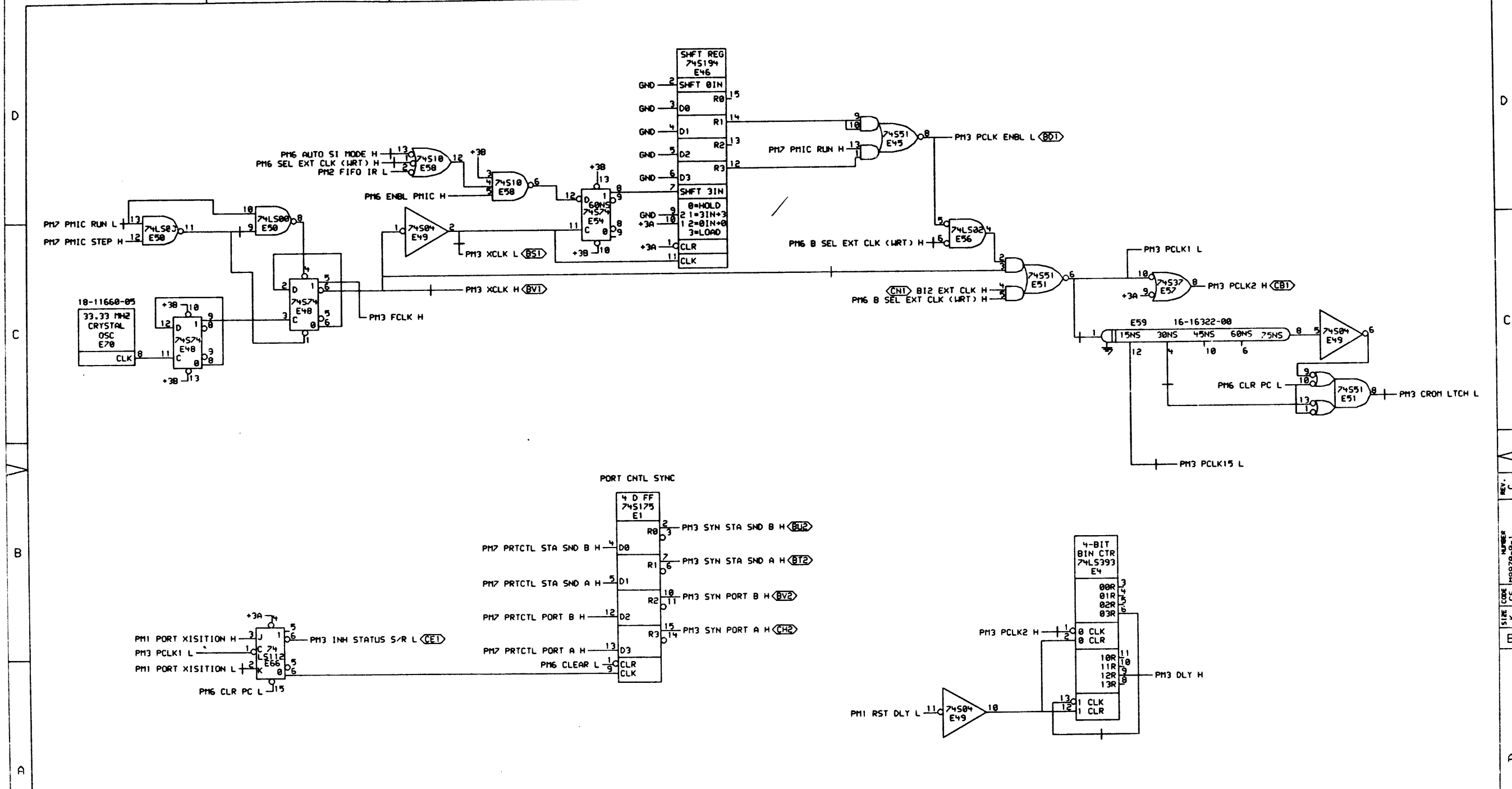
digital *P. Kingelmar* DATE 15-AUG-84 *P. Kingelmar* DATE 15-AUG-84 TITLE: STI INTERFACE PROTOCOL MICRO

CHK'D P. BOSSMAN DATE 15-AUG-84 BOARD LOCATION: SHEET 2 OF 7

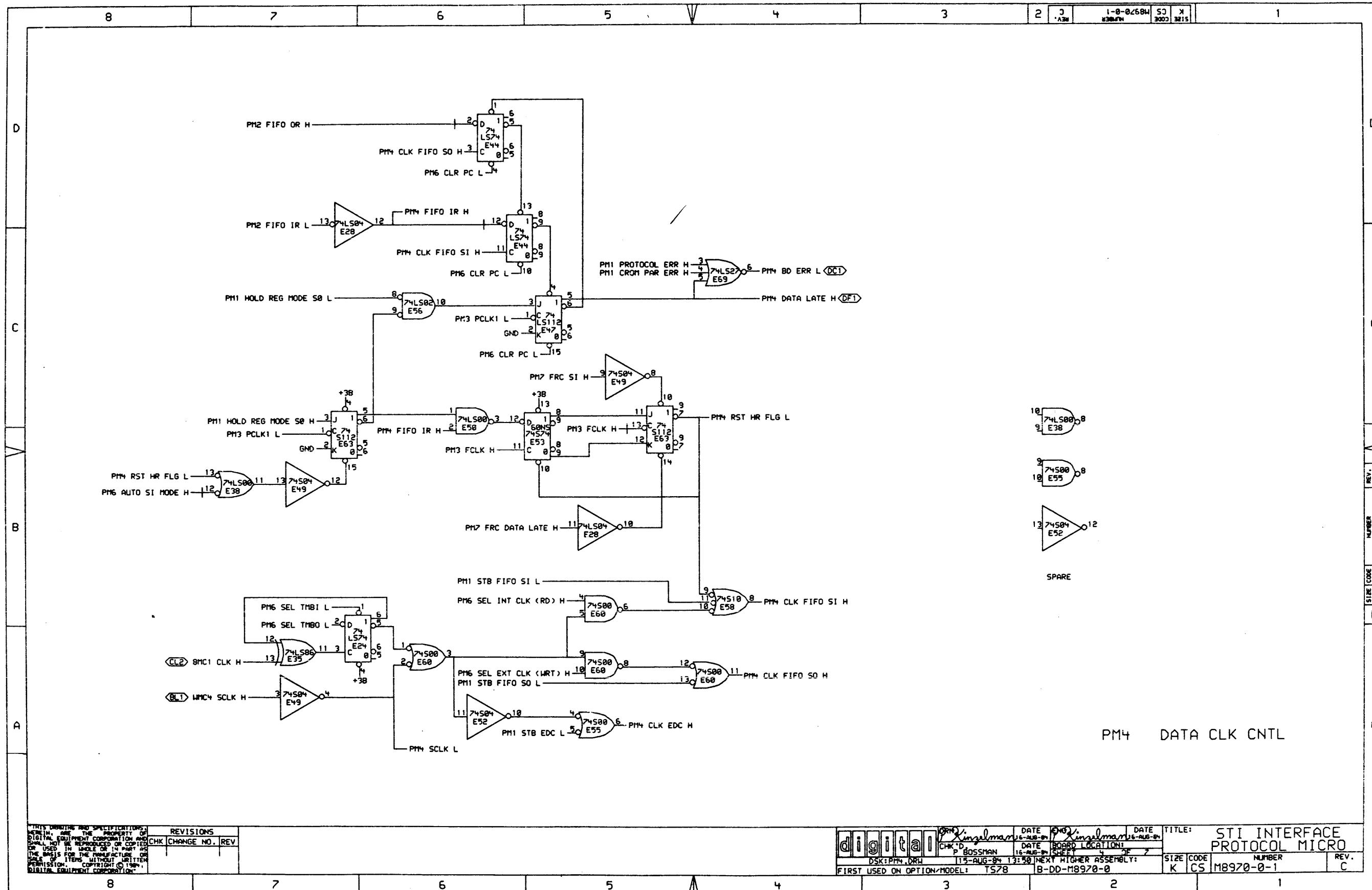
DSK:PM2.DRW 15-AUG-84 13146 NEXT HIGHER ASSEMBLY: B-DD-M8970-0

FIRST USED ON OPTION/MODEL: TS78

SIZE	CODE	NUMBER	REV.
K	CS	M8970-0-1	C



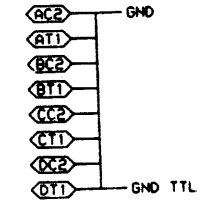
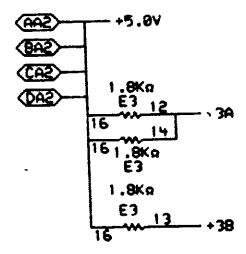
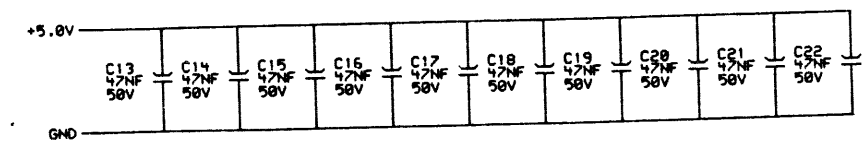
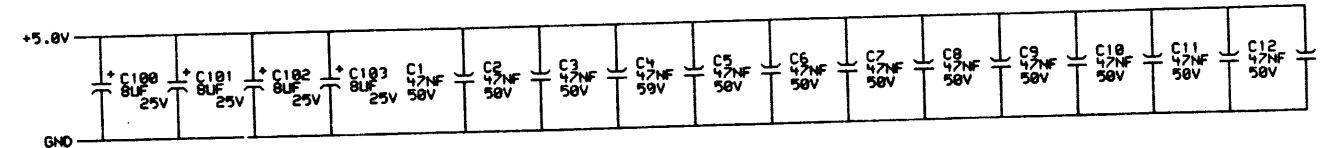
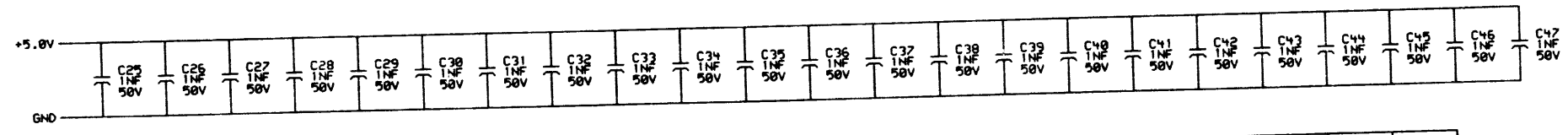
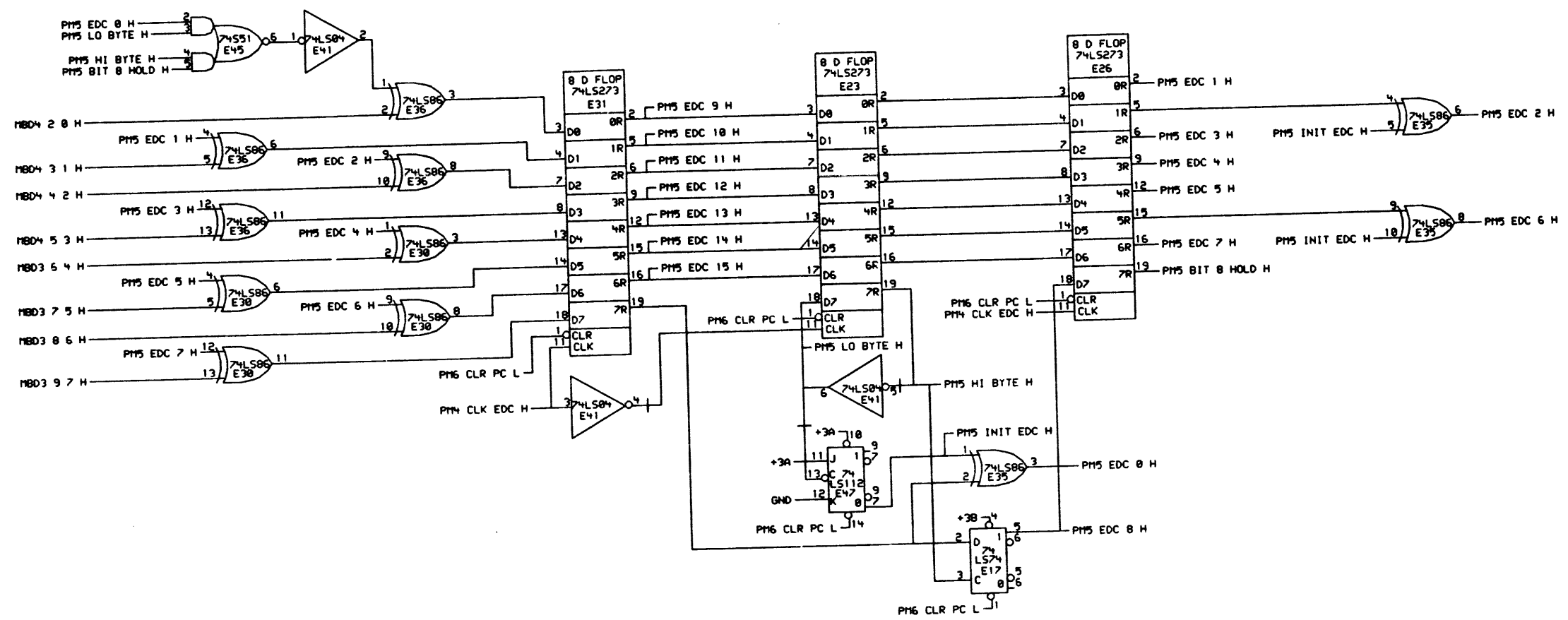
PM3 CLOCK GENERATOR



THIS DRAWING AND SPECIFICATIONS ARE THE PROPERTY OF DIGITAL EQUIPMENT CORPORATION AND SHALL NOT BE REPRODUCED OR COPIED OR USED IN WHOLE OR IN PART AS THE BASIS FOR THE MANUFACTURE OR SALE OF ITEMS WITHOUT WRITTEN PERMISSION. COPYRIGHT © 1984, DIGITAL EQUIPMENT CORPORATION.

REVISIONS		
CHK	CHANGE NO.	REV

digital DSK:PM4.DRW FIRST USED ON OPTION/MODEL: TS7B	DATE: 15-AUG-84 13:50 CHK'D: BOSSMAN	DATE: 15-AUG-84 DATE: 15-AUG-84 DATE: 15-AUG-84 DATE: 15-AUG-84 DATE: 15-AUG-84	TITLE: STI INTERFACE PROTOCOL MICRO
	BOARD LOCATION: 2 NEXT HIGHER ASSEMBLY: B-DD-M8970-0	SIZE CODE: K CS NUMBER: M8970-0-1	REV.: C

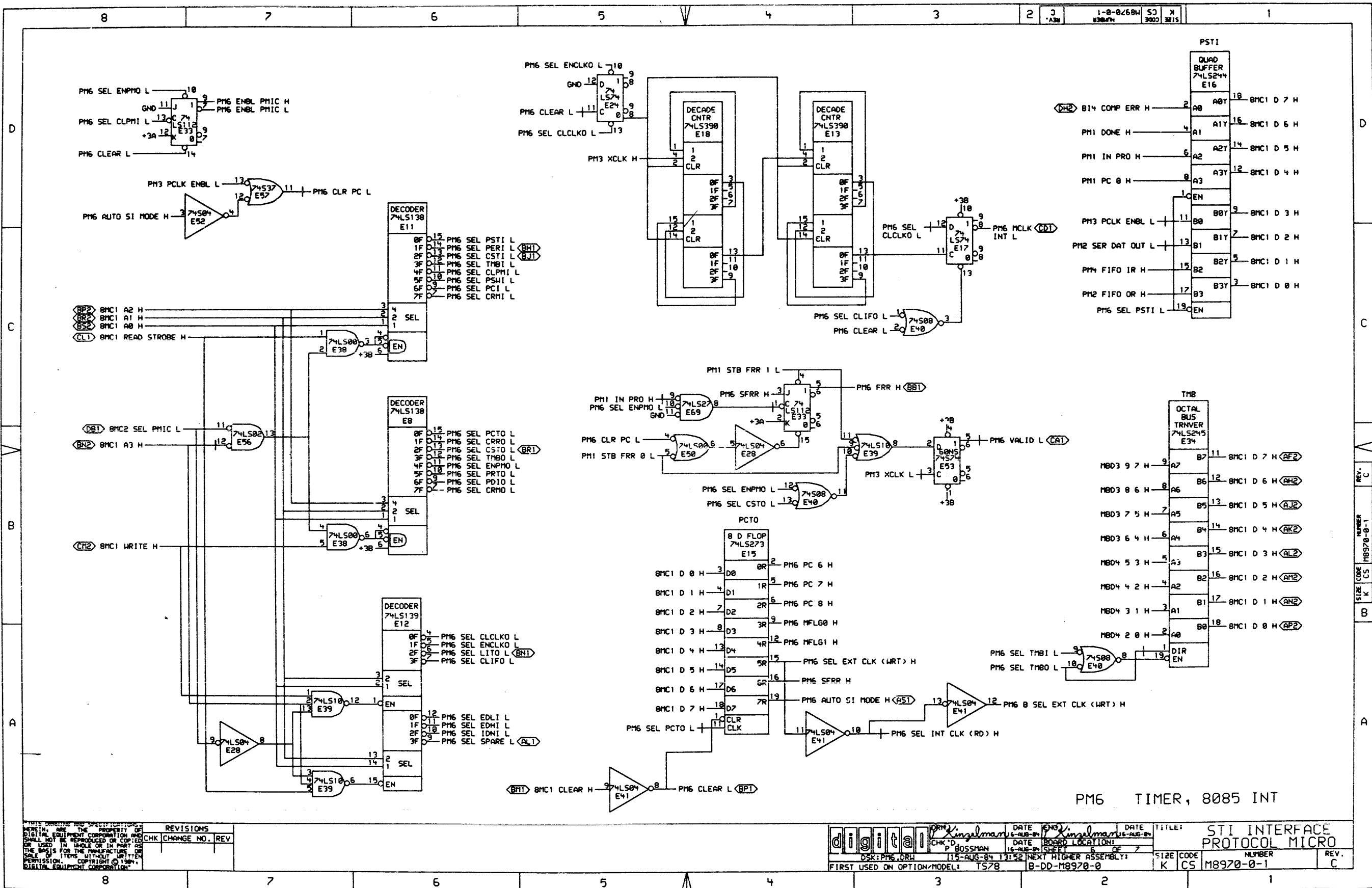


PM5 EDC LOGIC, PWR

PRINTS, DRAWINGS AND SPECIFICATIONS ARE THE PROPERTY OF DIGITAL EQUIPMENT CORPORATION AND SHALL NOT BE REPRODUCED OR COPIED OR USED IN WHOLE OR IN PART AS THE BASIS FOR THE MANUFACTURE OR SALE OF ITEMS WITHOUT WRITTEN PERMISSION. COPYRIGHT © 1984, DIGITAL EQUIPMENT CORPORATION.

REVISIONS
CHK CHANGE NO. REV

	DATE: 15-AUG-84 CHK'D: P BOSSMAN DSK: PM5.DRW	DATE: 15-AUG-84 DATE: 16-AUG-84 NEXT HIGHER ASSEMBLY: B-DD-M8970-0	TITLE: STI INTERFACE PROTOCOL MICRO
	BOARD LOCATION: 7 DE	SIZE: K CS	NUMBER: M8970-0-1
	FIRST USED ON OPTION/MODEL: TS78	REV: C	1

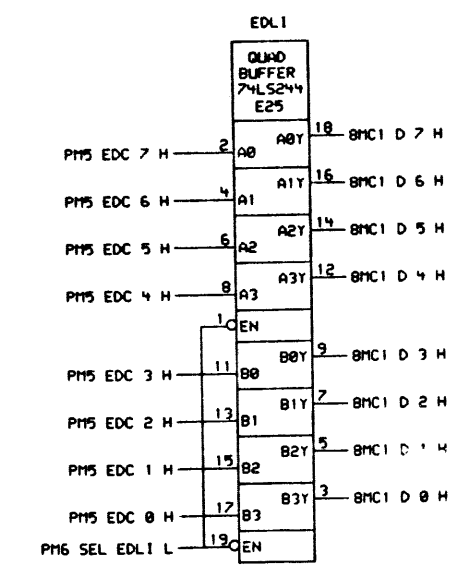
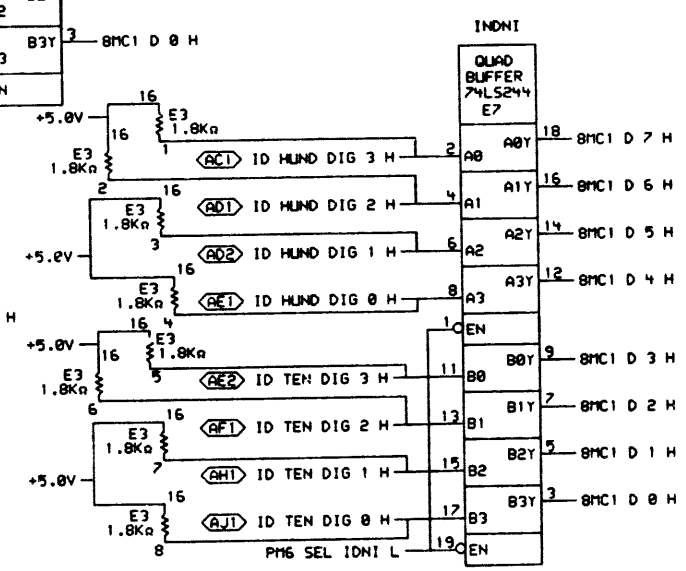
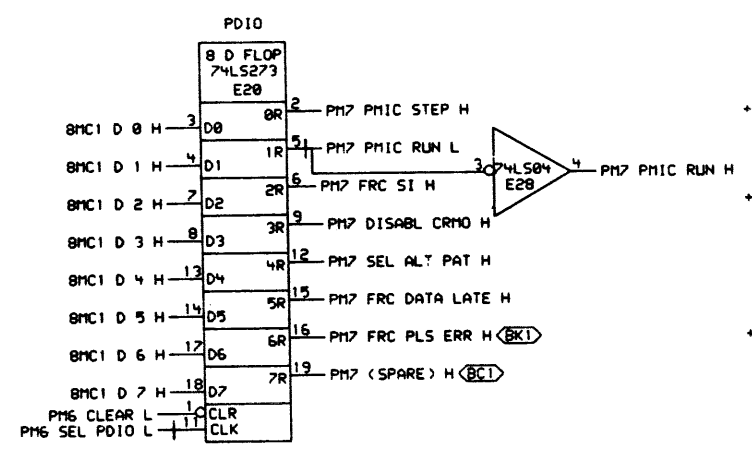
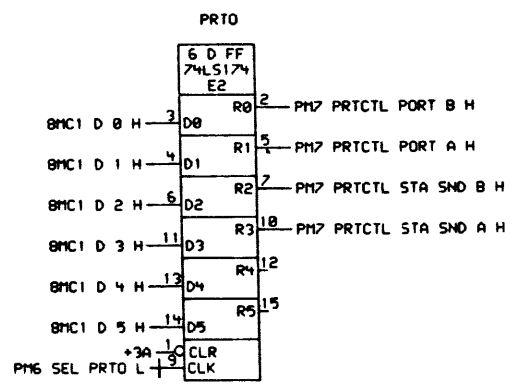
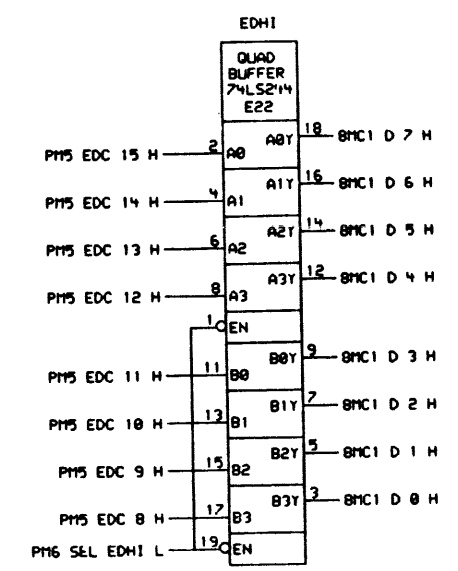
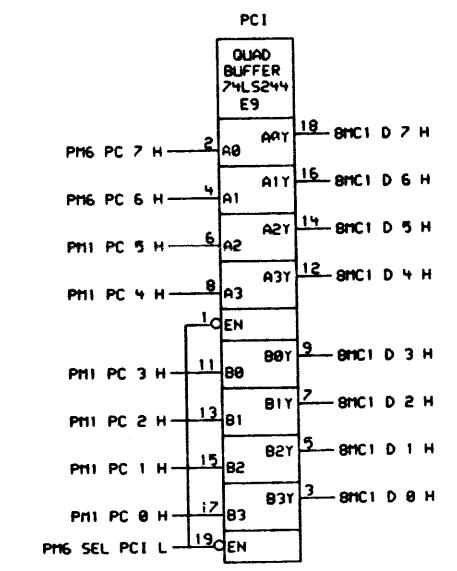
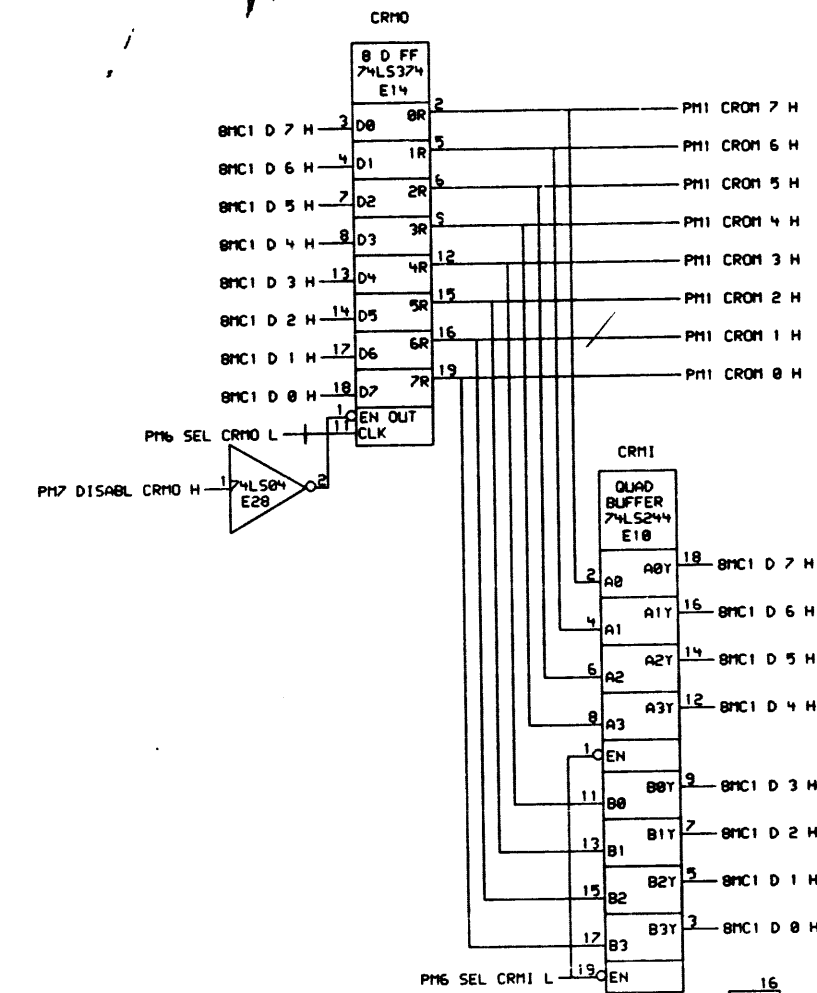
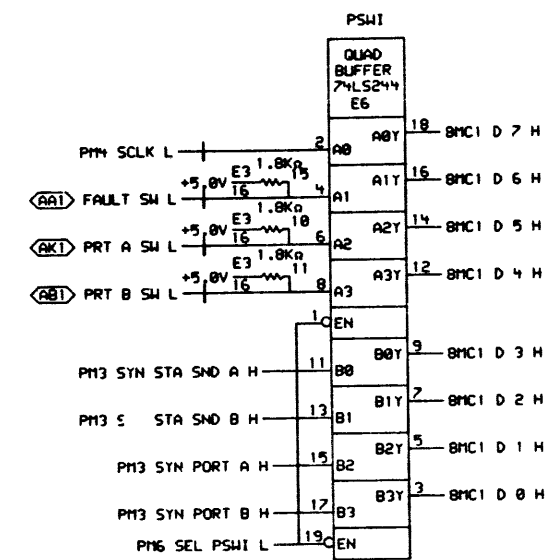


THIS DRAWING AND SPECIFICATIONS HEREIN ARE THE PROPERTY OF DIGITAL EQUIPMENT CORPORATION AND SHALL NOT BE REPRODUCED OR COPIED OR USED IN WHOLE OR IN PART AS THE BASIS FOR THE MANUFACTURE OR SALE OF ITEMS WITHOUT WRITTEN PERMISSION. COPYRIGHT © 1984, DIGITAL EQUIPMENT CORPORATION.

REV	CHG	NO.	REV

DATE: 15-AUG-84 13:52	DATE: 15-AUG-84	DATE: 15-AUG-84	DATE: 15-AUG-84	TITLE: STI INTERFACE PROTOCOL MICRO
CHK'D: BOSSMAN	DATE: 15-AUG-84	DATE: 15-AUG-84	DATE: 15-AUG-84	SIZE: K CS
DSK: PM6.DRW	15-AUG-84 13:52	NEXT HIGHER ASSEMBLY: B-DD-M8970-0	NUMBER: M8970-0-1	REV: C
FIRST USED ON OPTION/MODEL: TS78	B-DD-M8970-0			

PM6 TIMER, 8085 INT



PM7 8085 INT

REV. C
SIZE CODE CS M8970-0-1

A

D

C

1

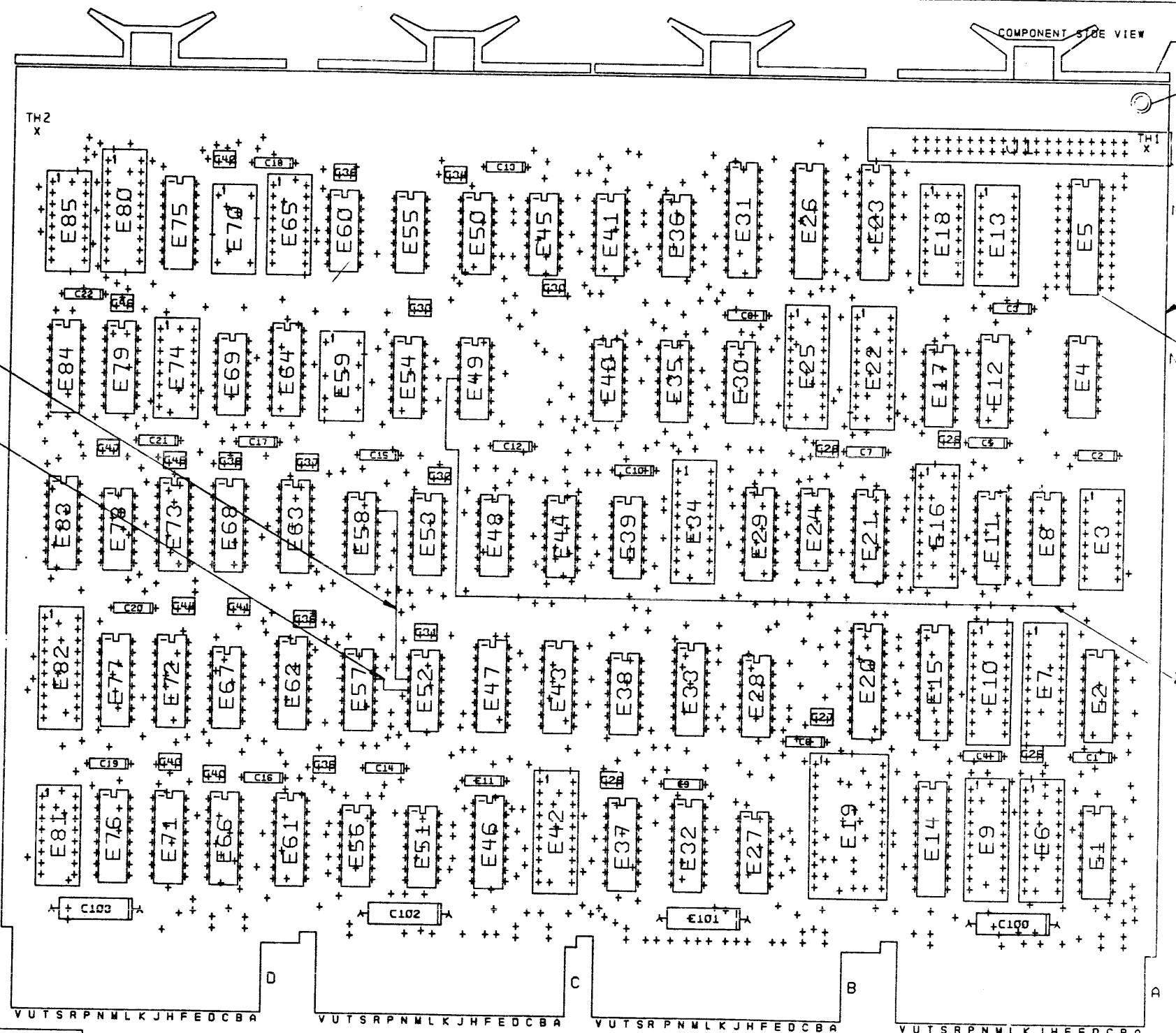
REV.	CHG.	NO.	REV.

digital	DATE	16-AUG-81	DATE	16-AUG-81	TITLE	STI INTERFACE
	CHK'D	P BOSSMAN	DATE	16-AUG-81	BOARD LOCATION	PROTOCOL MICRO
DSK:PH7.DRW	115-AUG-81	14102	NEXT	HIGHER ASSEMBLY	SIZE CODE	K CS M8970-0-1
FIRST USED ON OPTION MODEL	TS78	B-DD-M8970-0			NUMBER	REV. C

THIS DRAWING AND SPECIFICATIONS, HEREIN, ARE THE PROPERTY OF DIGITAL EQUIPMENT CORPORATION AND SHALL NOT BE REPRODUCED OR COPIED OR USED IN WHOLE OR IN PART FOR THE MAKE AND THE MANUFACTURE OF BUILT UP ITEMS WITHOUT WRITTEN PERMISSION. COPYRIGHT © 1972 DIGITAL EQUIPMENT CORPORATION

0-0-0269W 70 2

COMPONENT SIDE VIEW



NOTES: 1. J1 CONNECTOR WILL NOT BE INSTALLED IN PRODUCTION BOARDS.
2. E5 IS A SPARE I.C. LOCATION.

STEP 1	→ Y AXIS	2	STEP 2	TIMES
REPEAT	→ X AXIS	2	STEP 2	TIMES

CHK/CHANGE NO	REV	BY	DATE
M8970-	B	SHOOL	
		W. JACKSON	
M8970-	C	SHOOL	
		K. PETERS	

ETCH REV. B

SIGNATURES	DATE	TITLE
DRN. Vincent	2/27/72	digital
CHK. D. Vincent	2/27/72	
MECH. ENG. P. J. Vincent	17 DEC 72	TITLE STI INTERFACE
PROJ. ENG. P. J. Vincent	7 DEC 72	PROTOCOL MICO
PROD. P. J. Vincent	6 DEC 72	
SCALE 2/1		
SMT. 1 OF 2		
NEXT HIGHER ASSY. B-DD-M8970-0		

SIZE CODE NUMBER REV
D U A M8970-0-0 C

SHO 1 MS#

8 6 5 4 3 2 1

THIS DRAWING AND SPECIFICATIONS HEREBY ARE THE PROPERTY OF DIGITAL EQUIPMENT CORPORATION AND SHALL NOT BE REPRODUCED OR COPIED OR USED IN WHOLE OR IN PART AS THE BASIS FOR THE MANUFACTURE OR SALE OF ITEMS WITHOUT WRITTEN PERMISSION.
COPYRIGHT © 1987 DIGITAL EQUIPMENT CORPORATION

FIRST RELEASE:

WIRE ADDS:

- Ø-1. ADD WIRE FROM E52 PIN 4 TO E57 PIN 12.
- Ø-2. ADD WIRE FROM E52 PIN 3 TO E58 PIN 13.

ECO # 2:

WIRE ADD:

- 2-1. ADD WIRE SECOND PTH BELOW E3 PIN 8 TO E49 PIN 4

D
C
B
A

D
C
B
A

REVISION HISTORY		
DATE	ECO NUMBER	REV

TITLE
STI INTERFACE
PROTOCOL MICRO

DOCUMENT NUMBER		
SIZE CODE	NUMBER	REV
D	UA	M8970-0-0
SCALE	2/1	SHEET 2 OF 2

8 7 6 5 4 3 2 1

REV C
NUMBER M8970-0-0
SIZE CODE D UA

D C E

LINE	ITEM	DOCUMENT NUMBER	PART NUMBER	DESCRIPTION	QTY	PER VARIATION	REFERENCE DESIGNATOR
					00		
1	1	K-CS-M8970-0-1		CIRCUIT SCHEMATIC			REF
2	2	D-UA-M8970-0-0		UNIT ASSY			REF
3	3	B-DD-M8970-0		DRAWING DIRECTORY			REF
4	4	D-MD-5015033-0-0		CIRCUIT DRILL & ETCH			REF
5	5		5015033-00	DRILL & ETCH BD	1		
6	6		1012084-01	8 MFD 25V +75-10% AL EL	4		C100-C103
7	7		1012784-00	.047 MFD 50V +80-20% CER	22		C1-C22
8	8		1300005-11	R NETWORK 15-1.8K 5.0 * 16PIN	1		E3
9	9		1616322-00	DELAY= 75NS,5TAPS	1		E59
10	11		1910532-00	74S00 NAND GATE-QUAD 2IN	3		E55,E60,E67
11	12		1910534-00	74S04 INVERTER GATE-HEX 1I	2		E49,E52
12	13		1910536-00	74S10 NAND GATE-TRIPLE 3IN	1		E58
13	14		1910544-00	74S74 FF-D DUAL,EDGE TRIGG	1		E48
14	15		1910544-01	74S74-60GG-D DUAL,EDGE TRIG	2		E53,E54
15	16		1910545-00	74S112 FF-JK DUAL,EDGE TRIG	1		E63
16	17		1910550-00	74S174 FF-D HEX	1		E72
17	18		1910552-00	74S194 SHIFT REG.,4BIT RIGH	5		E46,E76,E77,E79,E83
18	19		1910956-00	74S151 MUX 1 OF 8	2		E21,E73
19	20		1910957-00	74S175 FF-D QUAD COMMON CLO	5		E1,E29,E43,E61,E71
20	21		1911573-00	74S280 PARITY GEN/CHKR,9BIT	1		E27
21	22		1911675-00	74S138 DECODER/DEMUX 3-8 LI	2		E62,E68
22	23		1911712-00	74S51 AND-OR GATE-INVERT D	2		E45,E51
23	25		1912389-00	74S08 AND GATE-QUAD 2IN,PO	1		E40
24	27		1912697-00	LS174 FF-D HEX W/CLEAR	2		E2,E64
25	28		1912746-00	DEC 74S37 NAND GATE-QUAD 2IN	1		E57
26	29		1912799-00	LS00 NAND-GATE-QUAD 2IN,P	2		E38,E50
27	30		1912803-00	LS04 INVERTER GATE,HEX	2		E28,E41
28	31		1912807-00	LS10 NAND GATE-TRIPLE 3IN	1		E39
29	32		1912813-00	LS27 NOR GATE-TRIPLE 3IN	1		E69
30	34		1912824-00	LS74 FF-D DUAL,EDGE TRIGG	3		E17,E24,E44

REVISION HISTORY		BASIC PART NO: M8970		DRN:	DATE:	D I G I T A L			
ENG:	ECO NUMBER	REV	SECTION A OF A	DON COREY	24-FEB-81	PARTS LIST			
P.K.	INITIAL	A	SECTION VARIATION INDEX	P.BOSSMAN	24-AUG-81	STI INTERFACE PROTOCOL MICRO			
J.J.	M8970-SH001	B	[A] 00	DES.ENG: P.KINZELMAN	24-AUG-81	DOCUMENT NUMBER			
			[B]	RESP.ENG.: M.CHRISTMAN	24-AUG-81	SIZE:	CODE:	NUMBER	REV
			[C]	MFG.ENG.: D.SWIFT	16-SEP-82	K	PL	M8970-0-DBP	B
			[D]	ASSEMBLY NUMBER:	TOP DOCUMENT NUMBER:	FILE NAME:		EDIT #	
			[E]	D-UA-M8970-0-0	#B-DD-M8970-0	Z1989B.PLS		21	
			[F]	"THIS DRAWING AND SPECIFICATIONS HEREIN, ARE THE PROPERTY OF DIGITAL EQUIPMENT CORPORATION AND SHALL NOT BE REPRODUCED OR COPIED OR USED IN WHOLE OR IN PART AS THE BASIS FOR THE MANUFACTURE OR SALE OF ITEMS WITHOUT WRITTEN PERMISSION. COPYRIGHT (C) 1983. DIGITAL EQUIPMENT CORPORATION"					
			[G]						
			[H]						
			[I]						
			[J]						
			[K]						
			[L]						
			[M]						
			[N]						

PARTS LIST

LINE ITEM	DOCUMENT NUMBER	PART NUMBER	DESCRIPTION	QTY PER VARIATION 00	REFERENCE DESIGNATOR
31		1912829-00	LS86 X-OR GATE-QUAD 2IN	3	E30,E35,E36
32		1912834-00	LS112 FF-JK,DUAL,EDGE TRIG	3	E33,E47,E66
33		1912842-00	LS138 DECODER-THREE INPUT,	2	E8,E11
34		1912843-00	LS139 DECODER, 2 OF 4(DUAL	1	E12
35		1912847-00	LS157 MUX 1 OF 2(QUAD)	2	E75,E84
36		1912863-00	LS273 FF-D OCTAL W/CLEAR	5	E15,E20,E23,E26,E31
37		1913294-00	93S16 COUNTER,SYNCH UP BIN	2	E32,E37
38		1914086-00	74S30 NAND GATE-POS 8IN	1	E78
39		1914214-00	LS374 FF-D OCTAL EDGE TRIG	1	E14
40		1914451-00	LS393 COUNTER,BINARY,4BIT	1	E4
41		1914768-00	C 67401J MEMORY FIFO,SERIAL	2	E65,E85
42		1915193-00	LS244 DRIVER,LINE,OCTAL,T	10	E6,E7,E9,E10,E16,E22,E25,E42,
					CONT E80,E82
43		1915218-00	LS245 TRANSCEIVER,BUS,OCT	1	E34
44		1915234-00	LS390 COUNTER,DECADE,DUAL,	2	E13,E18
45		23070D1-00	D1-02	1	E19
46		23307A1-00	*** THIS ITEM IS NOT USED ***	-	
47		23600A2-00	A2-05	1	E74
48		9008337-06	HANDLE, FLIP CHIP, MAGENTA	4	
49		9006732-00	EYELET,ROLLED 0.1210DX0.219	8	
50		1811660-05	OSCILLATOR, XTAL 33.330 MHZ	1	E70
51		1912801-00	LSC2 NOR-GATE-QUAD 2IN	1	E56
52	D-EC-5015033-0-0		ETCH CUT DWG	REF	
53		1011740-05	1000.0 MMF 50V 10% CER	23	C25-C47
54		9105740-55	WIRE(WRAP) 30AWG KYNAR UL14	A/R	
55		1215006-06	SKT,IC 24PIN DIP TIN SOLD	1	XE19
56		23374A1-00	A1-07	1	E81

57 NOTE: THIS ASSEMBLY CONTAINS ITEMS SENSITIVE TO ELECTROSTATIC DISCHARGE.
 58 NOTE: MAINTAIN ANTISTATIC PROTECTION PROCEDURES PER DEC STANDARD 067.

D	I	G	I	T	A	L	TITLE	SECTION A OF A	SIZE	CODE	DOCUMENT NUMBER	REV
CHK	HH	B3					STI INTERFACE PROTOCOL MICRO		K	PL	M8970-0-DBP	B

8

7

6

5

4

3

2

B

1-8-12694

4720

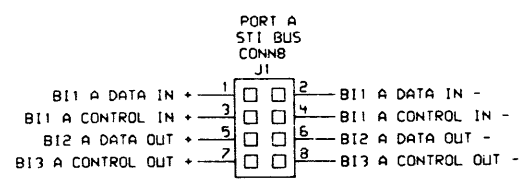
53

K

3033

3215

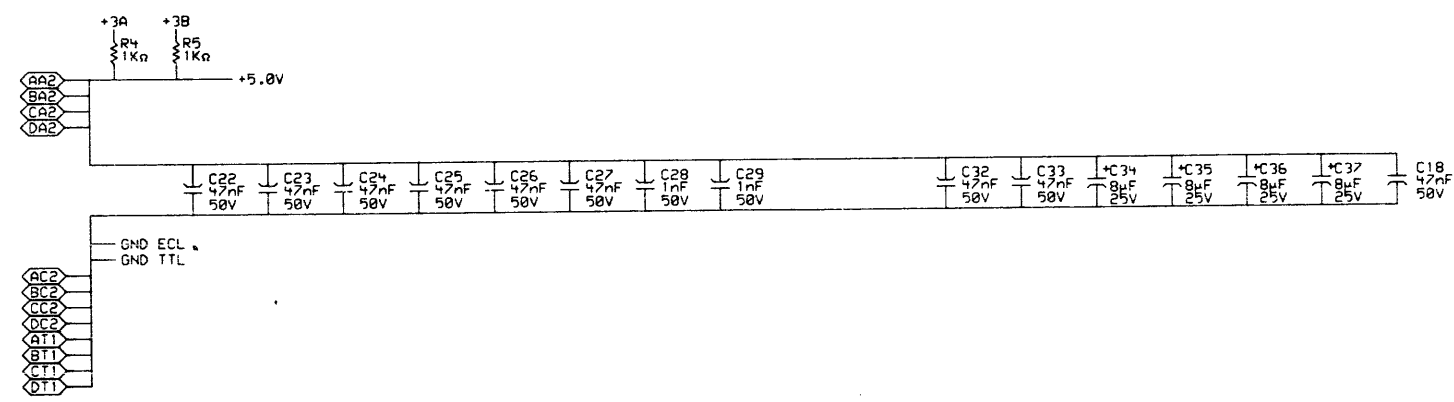
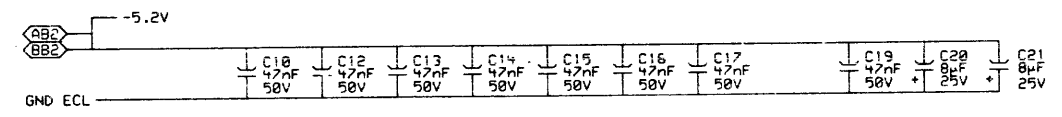
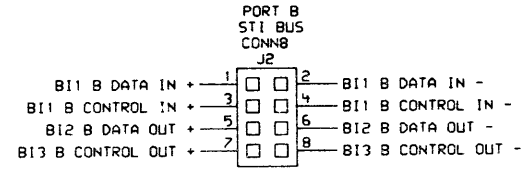
1



NOTE 1: SQUARE HOLE OF CONNECTOR IS ON THIS SIDE

NOTE 2: CONNECTORS AS VIEWED LOOKING INTO THE CONNECTOR PINS THAT THE CABLE PLUGS INTO.

NOTE 3: THE RUNS FROM THE SI BUS CONNECTOR MUST BE CONTROLLED IMPEDANCE RUNS. EACH RUN MUST BE 37 MILS WIDE AND THE PAIRS OF RUNS MUST BE RIGHT OVER TOP OF EACH OTHER 2 LAYERS APART (LAYERS 1 AND 3 OR 2 AND 4). ALL METAL MUST BE MOVED AWAY AT LEAST 160 MILS WHEREVER POSSIBLE. THE RESULTING IMPEDANCE IS 93 OHMS.



BI1 PWR,CONN

THIS DRAWING AND SPECIFICATIONS ARE THE PROPERTY OF DIGITAL EQUIPMENT CORPORATION AND SHALL NOT BE REPRODUCED OR COPIED OR USED IN WHOLE OR IN PART AS THE BASIS FOR THE MANUFACTURE OR SALE OF ITEMS WITHOUT WRITTEN PERMISSION. COPYRIGHT © 1983. DIGITAL EQUIPMENT CORPORATION

REVISIONS	
CHK	CHANGE NO. REV

DIGITAL	DRN	DATE	ENG	DATE	TITLE:
	P BOSSMAN	15-FEB-83	P BOSSMAN	15-FEB-83	STI INTERFACE BUS LOGIC
FIRST USED ON OPTION/MODEL:		TS78	NEXT HIGHER ASSEMBLY:		B-DD-M8971-0
SIZE	CODE	NUMBER	REV.		
K	CS	M8971-0-1	B		

8

7

6

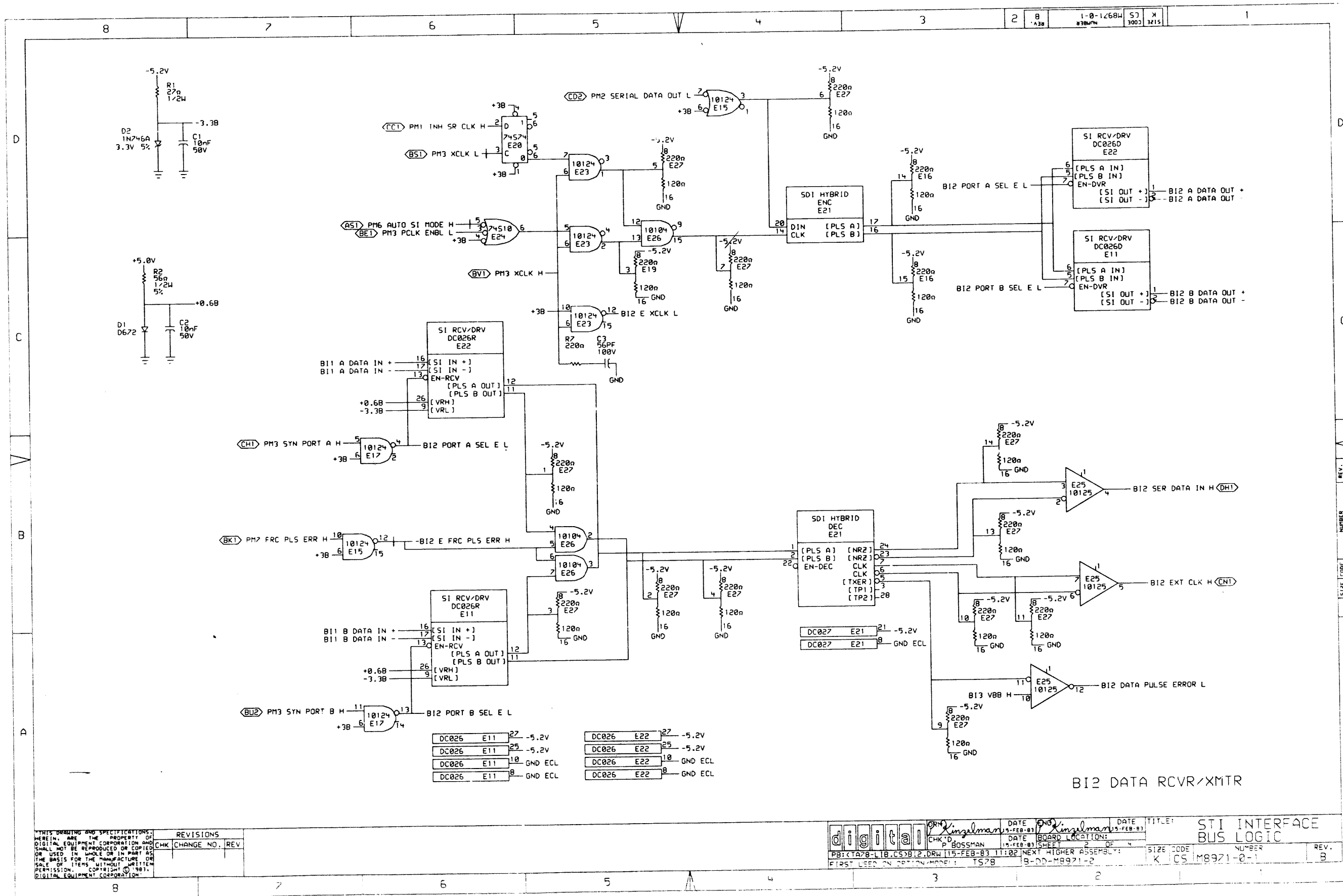
5

4

3

2

1

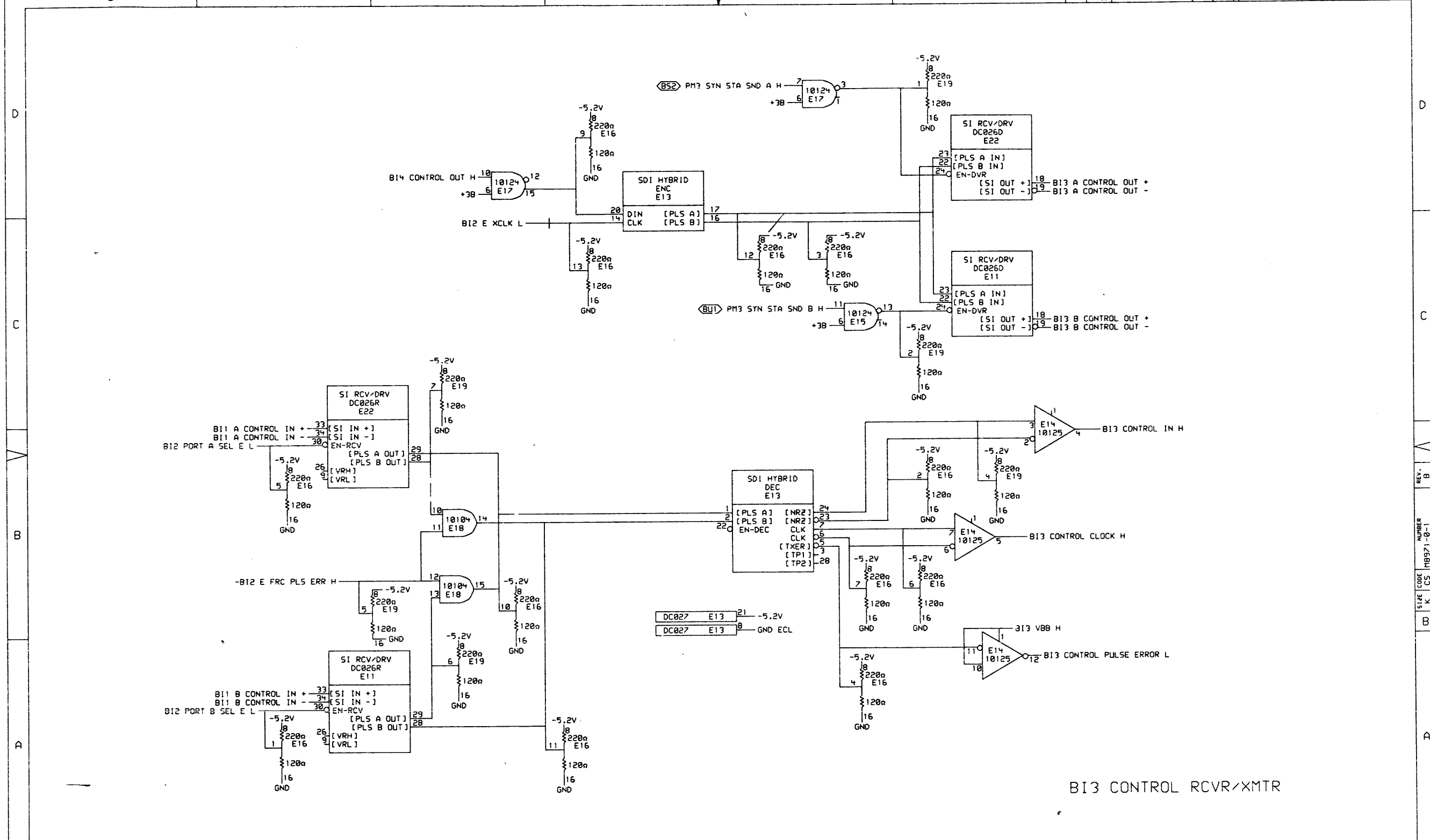


BI2 DATA RCVR/XMTR

THIS DRAWING AND SPECIFICATIONS ARE THE PROPERTY OF DIGITAL EQUIPMENT CORPORATION AND SHALL NOT BE REPRODUCED OR COPIED OR USED IN WHOLE OR IN PART AS THE BASIS FOR THE MANUFACTURE OR SALE OF ITEMS WITHOUT WRITTEN PERMISSION. COPYRIGHT © 1981, DIGITAL EQUIPMENT CORPORATION.

REVISIONS	CHK	CHANGE NO.	REV

digital	DATE	15-FEB-83	DATE	15-FEB-83	TITLE	STI INTERFACE
	CHK'D	P BOSSMAN	DATE	15-FEB-83	BOARD LOCATION	BUS LOGIC
	PB:KTA78-L18.C5B12.DRW	15-FEB-83 11:02	NEXT HIGHER ASSEMBLY:		SIZE CODE	NUMBER
	FIRST USED ON PART NUMBER:	TS78			K CS	M8971-0-1
						REV. B



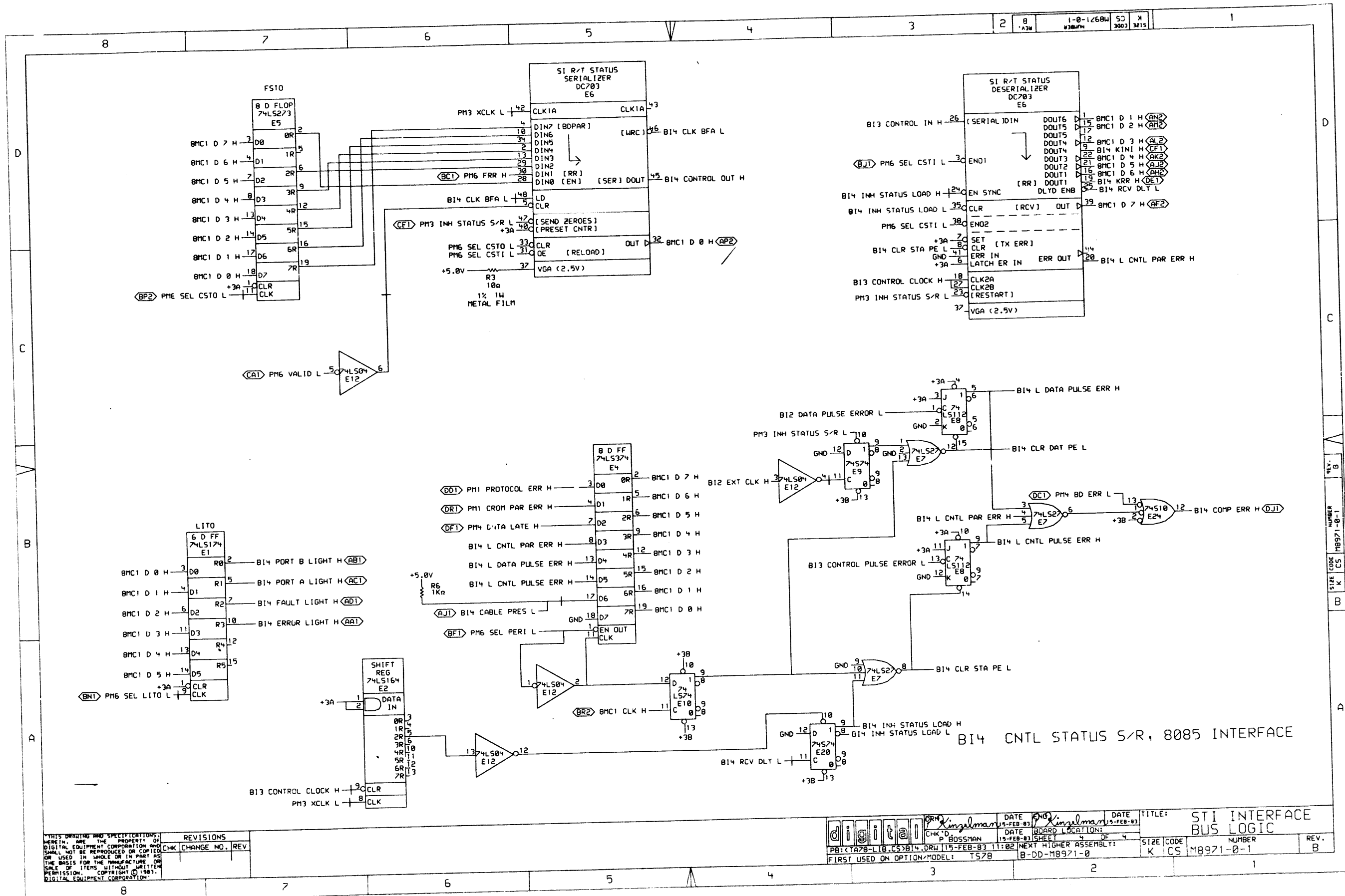
B13 CONTROL RCVR/XMTR

THIS DRAWING AND SPECIFICATIONS ARE THE PROPERTY OF DIGITAL EQUIPMENT CORPORATION AND SHALL NOT BE REPRODUCED OR COPIED OR USED IN WHOLE OR IN PART AS THE BASIS FOR THE MANUFACTURE OR SALE OF ITEMS WITHOUT WRITTEN PERMISSION. COPYRIGHT © 1983, DIGITAL EQUIPMENT CORPORATION.

REVISIONS	
CHK	CHANGE NO. REV

DATE	15-FEB-83	DATE	15-FEB-83
CHK'D.	P. BOSSMAN	DATE	15-FEB-83
BY	P. BOSSMAN	BOARD LOCATION	3 OF 4
PB:	TA78-LIB.CSXB13.DRW	11:02	NEXT HIGHER ASSEMBLY:
FIRST USED ON OPTION/MODEL:	TS78	IB-DD-M8971-0	

TITLE:	STI INTERFACE BUS LOGIC	
SIZE CODE	K CS	NUMBER
	M8971-0-1	REV. B



THIS DRAWING AND SPECIFICATIONS, HEREIN, ARE THE PROPERTY OF DIGITAL EQUIPMENT CORPORATION AND SHALL NOT BE REPRODUCED OR COPIED OR USED IN WHOLE OR IN PART AS THE BASIS FOR THE MANUFACTURE OR SALE OF ITEMS WITHOUT WRITTEN PERMISSION. COPYRIGHT © 1983, DIGITAL EQUIPMENT CORPORATION.

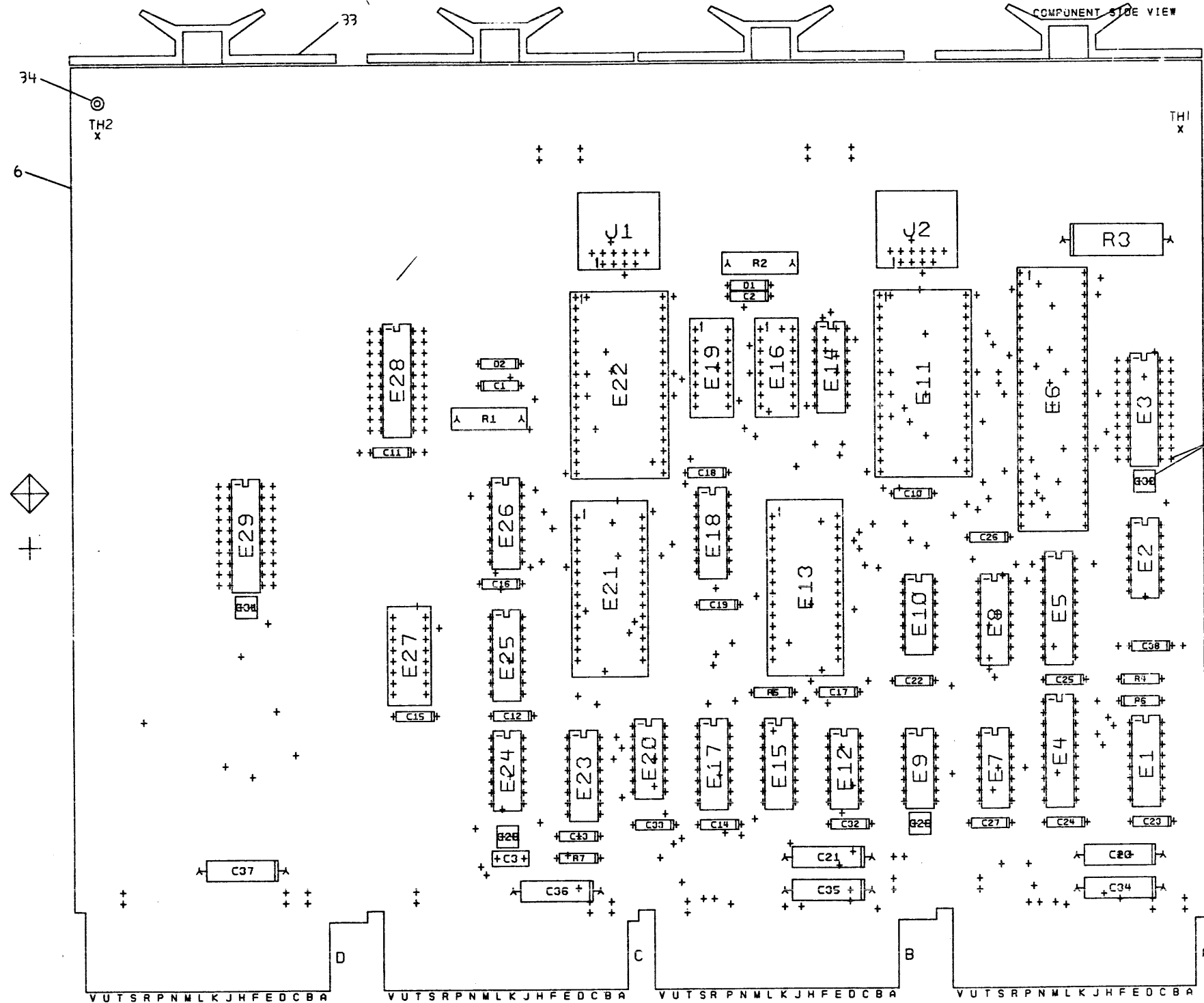
REVISIONS		
CHK	CHANGE NO.	REV.

	DATE: 15-FEB-83	DATE: 15-FEB-83	TITLE: STI INTERFACE BUS LOGIC
	CHK'D: P BOSSMAN	DATE: 15-FEB-83	BOARD LOCATION: 4 OF 4
FIRST USED ON OPTION/MODEL: TS78		DATE: 15-FEB-83 11:02	NEXT HIGHER ASSEMBLY: B-DD-M8971-0
SIZE CODE: K 1CS	NUMBER: M8971-0-1	REV.:	B

THIS DRAWING AND SPECIFICATIONS, NUMBER, AND THE PROPERTY OF DIGITAL EQUIPMENT CORPORATION AND SHALL NOT BE REPRODUCED OR COPIED OR USED IN WHOLE OR IN PART AS THE BASIS FOR THE MANUFACTURE OR SALE OF ITEMS WITHOUT WRITTEN PERMISSION. COPYRIGHT © 1983 DIGITAL EQUIPMENT CORPORATION

8971-0-0 2 0 UA

COMPONENT SIDE VIEW



SEE NOTE 1

NOTES: 1. SPARE LOCATIONS: E3, E28, E29, C11, C30, C31 & C38.
 2. THIS ASSEMBLY CONTAINS ITEMS SENSITIVE TO ELECTROSTATIC DISCHARGE. MAINTAIN ANTISTATIC PROTECTION PROCEDURE PER DEC STD. 067.

NOTES: 3. THIS BOARD MEETS REQUIREMENTS FOR UL TYPE LPWR.

STEP	E	↑ Y AXIS	STEP	TIMES
REPEAT		→ X AXIS	STEP	TIMES

CHG	NO	REV
RE	01	B
BY	MB971	
DATE	SH001	

ETCH REV.	E-P1
-----------	------

SIGNATURES	DATE
DRN. C. LIVIERATOS/DM	5-15-83
CHK'D. [Signature]	5-15-83
MECH. ENG. [Signature]	7-11-83
PROJ. ENG. [Signature]	7-11-83
PROD. [Signature]	7-11-83
SCALE 2/1	
SHT. OF	
NEXT HIGHER ASSY. B-DD-MP971-0	

digital			
TITLE STI INTERFACE BUS LOGIC			
SIZE	CODE	NUMBER	REV
D	UA	M8971-0-0	B

SHO 1 MS#

LINE ITEM	DOCUMENT NUMBER	PART NUMBER	DESCRIPTION	QTY PER VARIATION 00	REFERENCE DESIGNATOR
1	6	D-MD-5015050-0-0	5015050-00 DRILL AND ETCH BOARD	1	
2	7		1001610-00 .01 MFD 50V +80-20% Z5U CER	2	C1,C2
3	8		1011740-05 1000.0 MMF 50V 10% CER	2	C28,C29
4	9		1012084-01 8 MFD 25V +75-10% AL EL	6	C20,C21,C34-C37
5	10		1012784-00 .047 MFD 50V +80-20% CER	17	C10,C12-C19,C22-C27,C32,C33
6	11		1105275-00 PIV= 60 IO=300 MA -15NS	1	D1
7	12		1104860-00 VZ= 3.3 5% 400 MW 1N746A	1	D2
8	13		1218414-00 PCB,HEADER 08PIN(2X04).100CC 90D	2	J1,J2
9	14		1300005-04 *** THIS ITEM IS NOT USED ***	-	
10	15		1300365-00 1.0 K .25 W 5.0 % CF	3	R4,R5,R6
11	16		1302253-00 27.0 .50 W 5.0 % CF	1	R1
12	17		1309995-00 56.0 .50 W 5.0 % CF	1	R2
13	18		1318881-00 10.0 1.0 W 1.0 % RN70D-F10	1	R3
14	19		1918073-00 DC 703 400 GATE ARRAY	1	E6
15	20		1918747-01 ENCODER/DECODER, HYBR	2	E13,E21
16	21		1918748-00 SDI RECEIVER/DRIVER,	2	E11,E22
17	22		1914214-00 LS374 FF-D OCTAL EDGE TRIG	1	E4
18	23		1912637-00 LS174 FF-D HEX W/CLEAR	1	E1
19	24		1912803-00 LS04 INVERTER GATE, HEX	1	E12
20	25		1912813-00 LS27 NOR GATE-TRIPLE 3IN	1	E7
21	26		1912824-00 LS74 FF-D DUAL, EDGE TRIGG	1	E10
22	27		1912834-00 LS112 FF-JK, DUAL, EDGE TRIG	1	E8
23	28		1912863-00 LS273 FF-D OCTAL W/CLEAR	1	E5
24	29		1910536-00 74S10 NAND GATE-TRIPLE 3IN	1	E24
25	30		1911401-00 10104 AND GATE, QUAD 2IN	2	E18,E26
26	31		1911414-00 10124 TTL TO ECL TRNSLTR	3	E15,E17,E23
27	32		1910544-00 74S74 FF-D DUAL, EDGE TRIGG	2	E9,E20
28	33		9008337-06 HANDLE, FLIP CHIP, MAGENTA	4	
29	34		9006732-00 EYELET, ROLLED 0.1210DX0.219	8	
30	35		1911415-00 10125 ECL TO TTL TRNSLTR	2	E14,E25

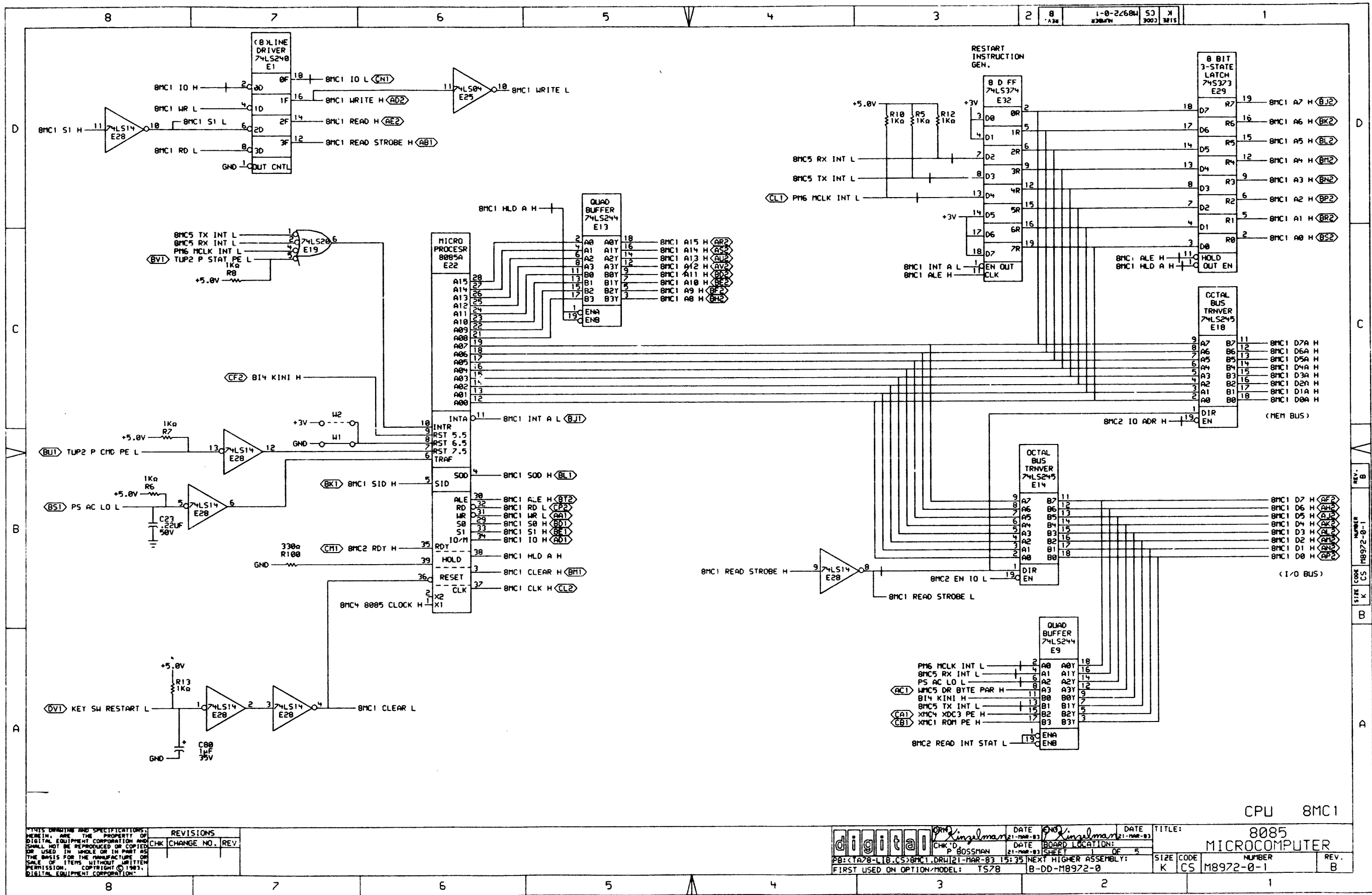
REVISION HISTORY		BASIC PART NO: M8971		DRN: JIM RICHARD	DATE: 22-DEC-81	D I G I T A L			
ENG	ECO NUMBER	REV	SECTION A OF A	CHK'D: P. BOSSMAN	DATE: 16-JUN-82	TITLE		PARTS LIST	
PK	INITIAL	A	SECTION VARIATION INDEX	DES. ENG: PAUL KINZELMAN	DATE: 22-DEC-81	STI INTERFACE BUS LOGIC			
P.K.	M8971-SH001	B	[A] 00	RESP. ENG.: M. CHRISTMAN	DATE: 16-JUN-82	DOCUMENT NUMBER			
			[B]	MFG. ENG.: D. SWIFT	DATE: 16-SEP-82	SIZE	CODE	NUMBER	REV
			[C]	ASSEMBLY NUMBER: D-UA-M8971-0-0	TOP DOCUMENT NUMBER: #B-DD-M8971-0	K	PL	M8971-0-DBP	B
			[D]					FILE NAME: Z2131B.PLS	EDIT # 14
			[E]						
			[F]						
			[H]						
			[J]						
			[K]						
			[L]						
			[M]						
			[N]						

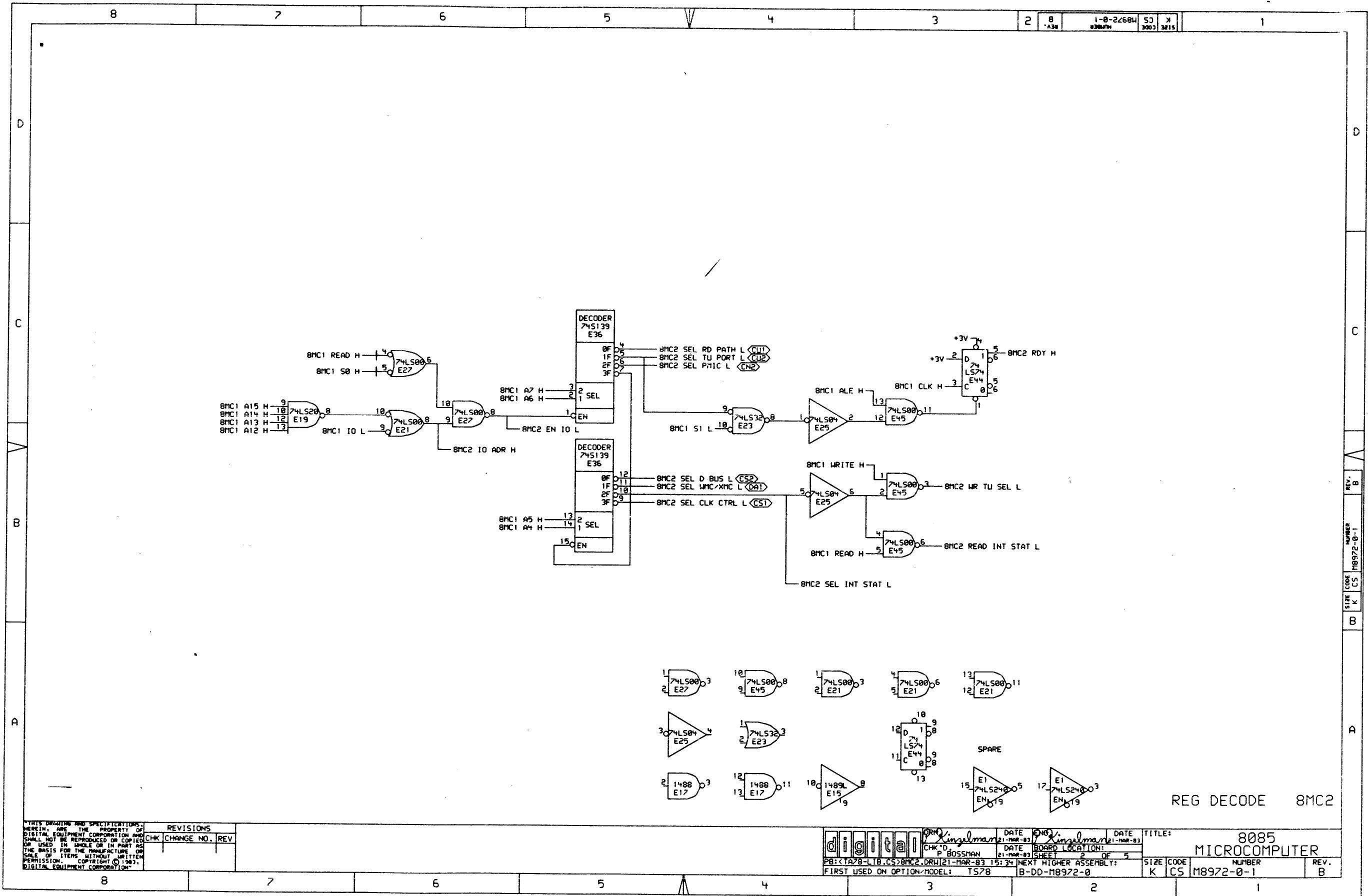
"THIS DRAWING AND SPECIFICATIONS HEREIN, ARE THE PROPERTY OF DIGITAL EQUIPMENT CORPORATION AND SHALL NOT BE REPRODUCED OR COPIED OR USED IN WHOLE OR IN PART AS THE BASIS FOR THE MANUFACTURE OR SALE OF ITEMS WITHOUT WRITTEN PERMISSION. COPYRIGHT (C) 1983. DIGITAL EQUIPMENT CORPORATION "

LINE	ITEM	DOCUMENT NUMBER	PART NUMBER	DESCRIPTION	QTY PER VARIATION 00	REFERENCE DESIGNATOR
31	36		1300271-00	220.0 .25 W 5.0 % CF	1	R7
32	37		1000012-00	56.0 MMF 100V 5%200PPM MICA	1	C3
33	38		9105740-55	WIRE(WRAP) 30AWG KYNAR UL14	A/R	
34	39		1311003-05	R NETWORK 14-120 14-220 16PIN	3	E16,E19,E27
35	40		1912850-00	LS164 SHIFT REG. 8BIT SERI	1	E2

36 NOTE: 1. THIS ASSEMBLY CONTAINS ITEMS SENSITIVE TO ELECTRO STATIC DISCHARGE.
 37 NOTE: MAINTAIN ANTI-STATIC PROTECTION PROCEDURE PER DEC STD. 067.

D	I	G	I	T	A	L	TITLE	STI INTERFACE BUS LOGIC	SECTION A	OF A	SIZE	CODE	DOCUMENT NUMBER	REV
											K	PL	M8971-0-DBP	B



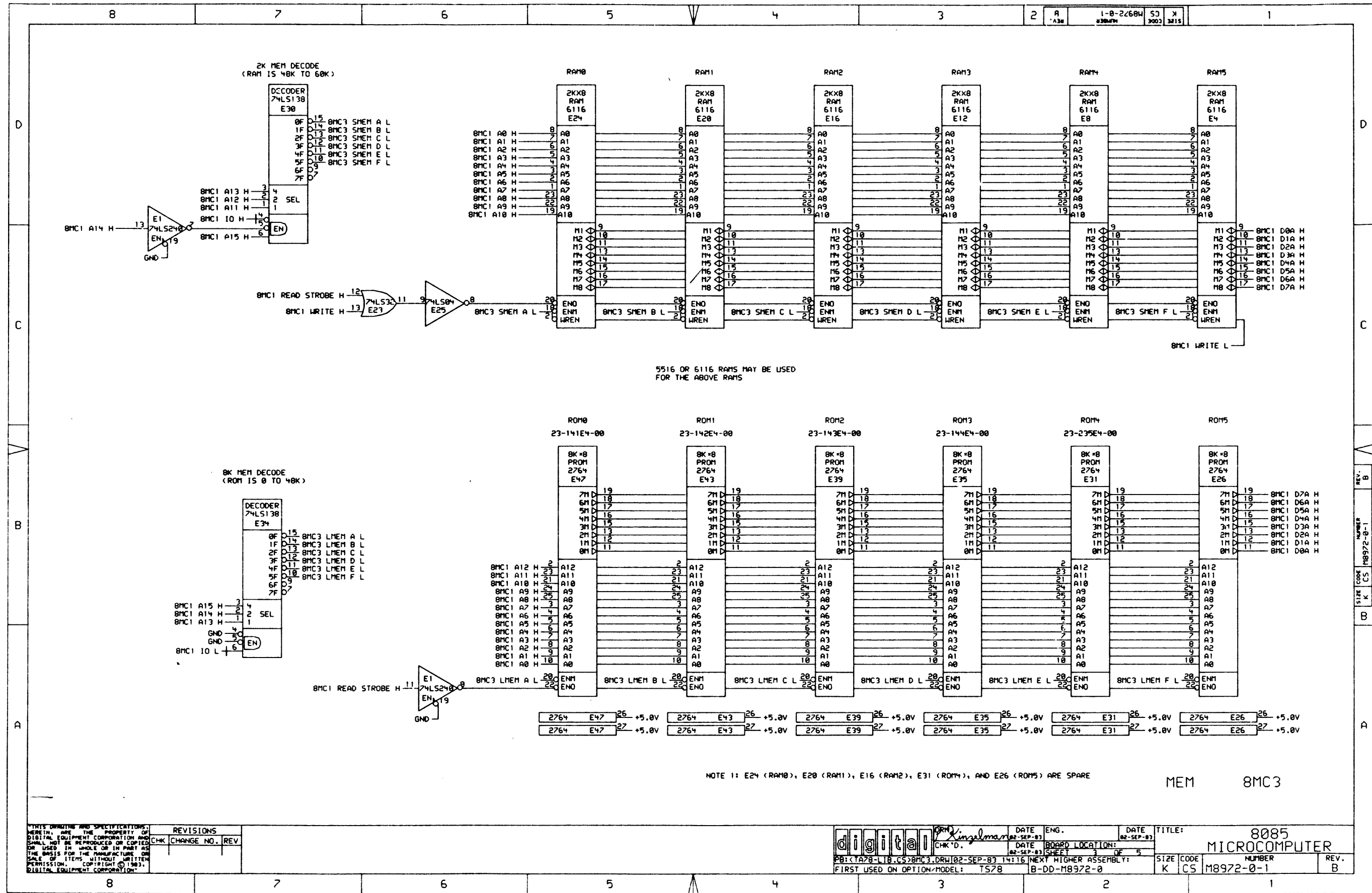


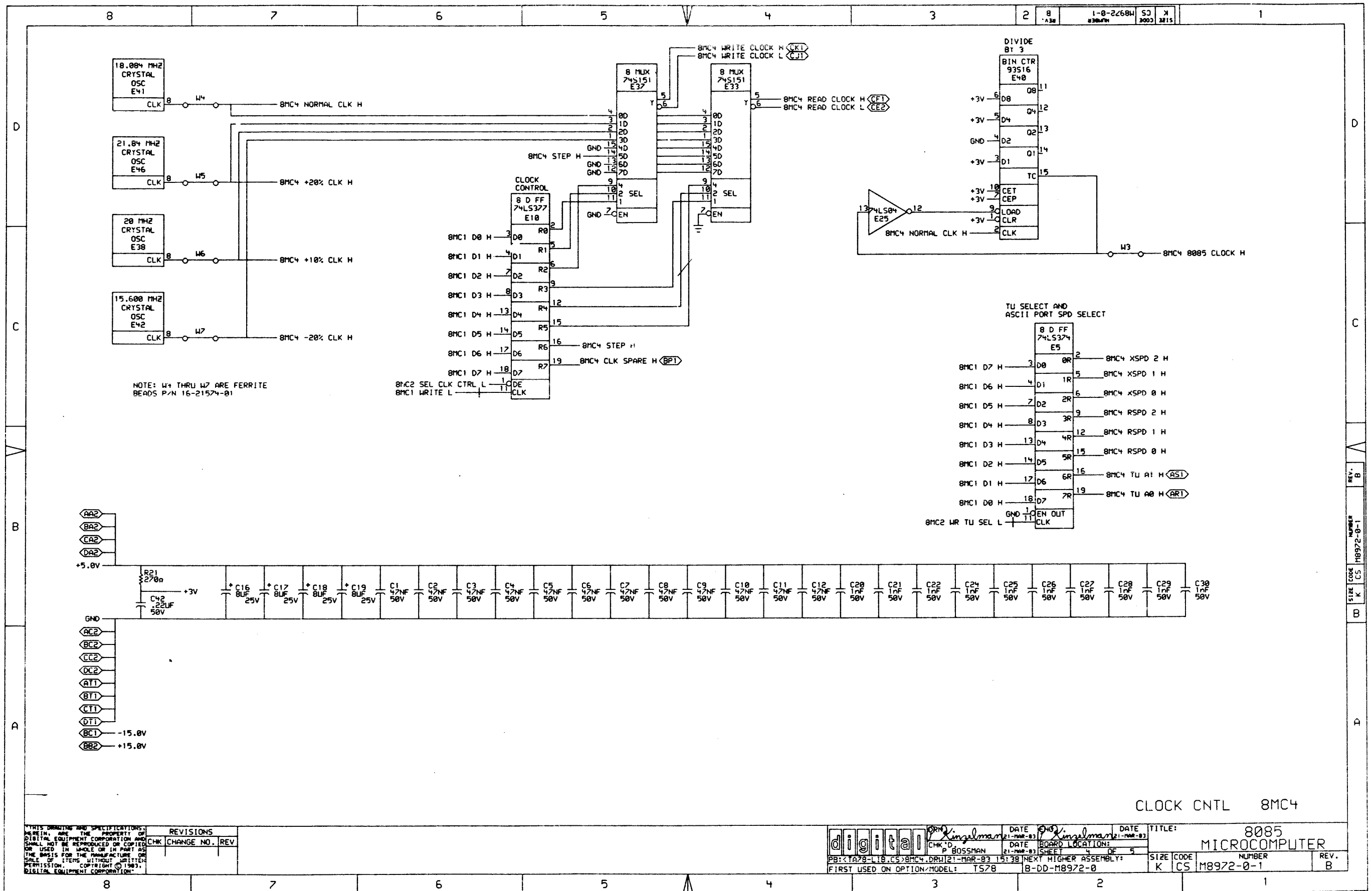
REG DECODE 8MC2

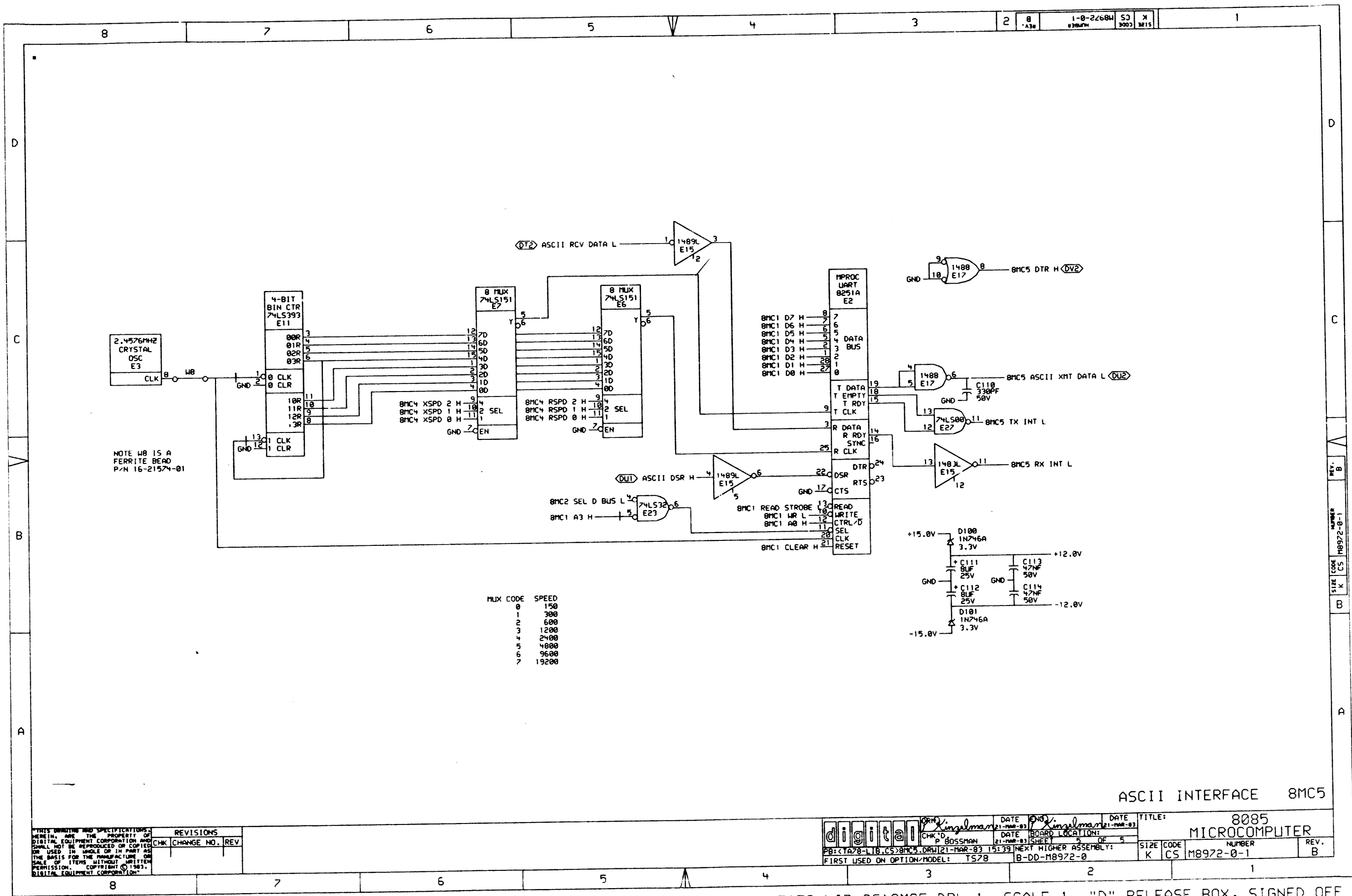
THIS DRAWING AND SPECIFICATIONS, HEREIN, ARE THE PROPERTY OF DIGITAL EQUIPMENT CORPORATION AND SHALL NOT BE REPRODUCED OR COPIED OR USED IN WHOLE OR IN PART AS THE BASIS FOR THE MANUFACTURE OR SALE OF ITEMS WITHOUT WRITTEN PERMISSION. COPYRIGHT © 1983, DIGITAL EQUIPMENT CORPORATION.

REVISIONS		
CHK	CHANGE NO.	REV

	DRN: <i>Kinzelman</i>	DATE: 21-MAR-83	ENGR: <i>Kinzelman</i>	DATE: 21-MAR-83	TITLE: 8085 MICROCOMPUTER
	CHK: D	DATE: 21-MAR-83	BOARD LOCATION: 2 OF 5	SHEET: 2 OF 5	SIZE CODE: K CS
PB: <TA78-LIB.CS>8MC2.DRW 21-MAR-83 15:34 NEXT HIGHER ASSEMBLY: B-DD-M8972-0					NUMBER: M8972-0-1 REV: B







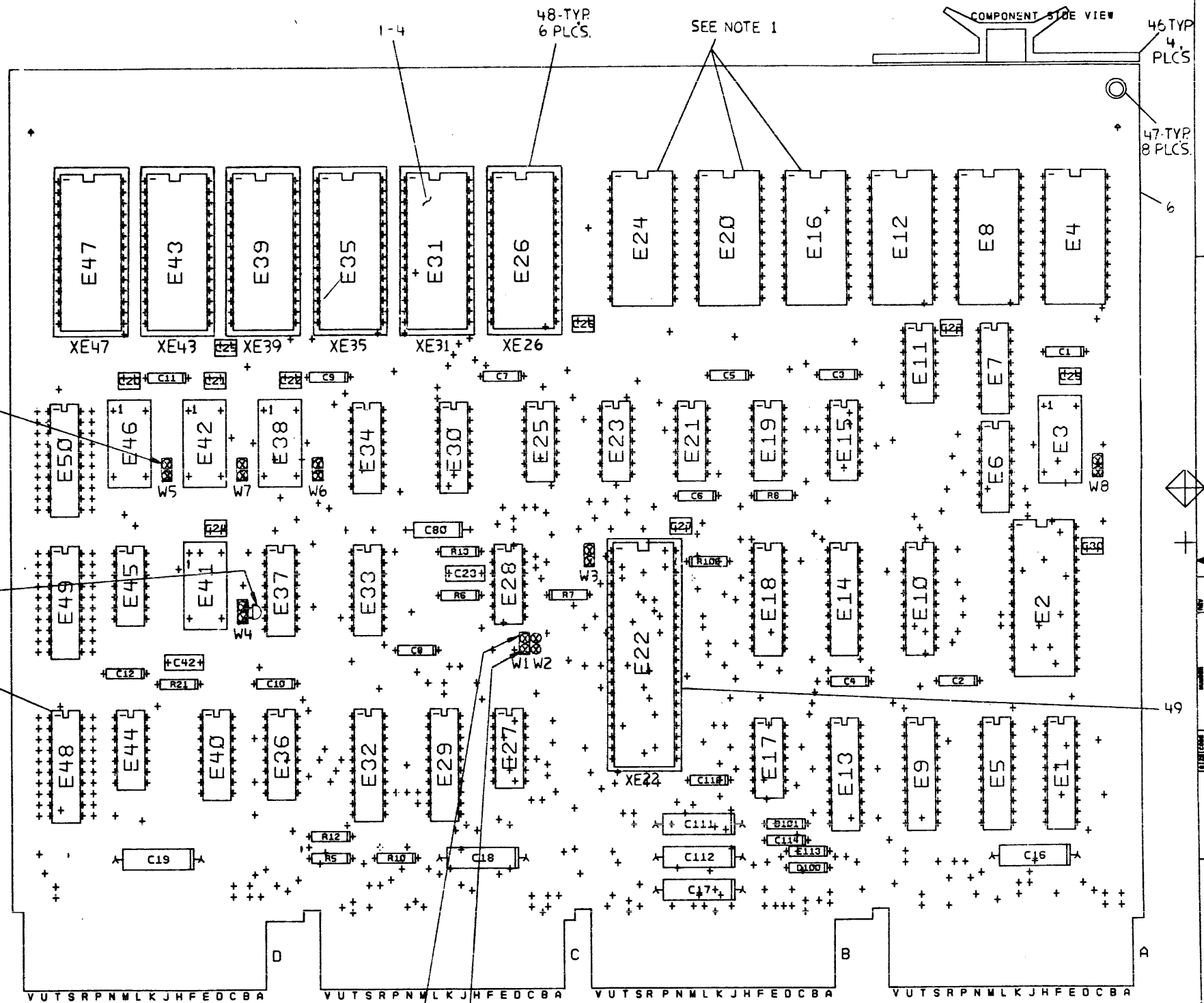
ASCII INTERFACE 8MC5

REVISIONS	
CHK	CHANGE NO. REV

	DATE: 21-MAR-83	ENG: Kinzelman	DATE: 21-MAR-83	TITLE: 8085 MICROCOMPUTER
	CHK'D: P BOSSMAN	DATE: 21-MAR-83	BOARD LOCATION: 5	SIZE CODE: K CS
PB: <TA78-LIB.CS>8MC5.DRW		21-MAR-83 15:39	NEXT HIGHER ASSEMBLY: B-DD-M8972-0	NUMBER: M8972-0-1
FIRST USED ON OPTION/MODEL: TS78				REV: B

THIS DRAWING AND SPECIFICATIONS, HEREIN, ARE THE PROPERTY OF DIGITAL EQUIPMENT CORPORATION AND SHALL NOT BE REPRODUCED OR COPIED IN WHOLE OR IN PART FOR THE BASIS FOR THE MANUFACTURE OR SALE OF ITEMS WITHOUT WRITTEN PERMISSION. COPYRIGHT © 1982 DIGITAL EQUIPMENT CORPORATION

8 7 6 5 4 3 2 1
B 0-0-2168W 2 1



NOTES: 1. E16, E20, E24, E48, E49 AND E50 ARE SPARE I.C. LOCATIONS.
2. DO NOT INSTALL E26

STEP E	↑ Y AXIS	STEP	TIMES
REPEAT	→ X AXIS	STEP	TIMES

CHANGE NO.	REV	DATE	BY
M8972 - B			
CL	SH001		
V. D. DINGELDEIN			
M. CHRISTMAN			

ETCH REV.	C
-----------	---

SIGNATURES		DATE	digital
DRN. D. DINGELDEIN		31 AUG 82	
CHK. D. [Signature]		6 OCT 82	TITLE 8085 MICROCOMPUTER
MECH. ENG. [Signature]		20 MAR 83	
PROJ. ENG. [Signature]		20 DEC 82	
PROD. [Signature]		31 MAR 83	
SCALE 2/1			
SHT. 1 OF 2			
NEXT HIGHER ASSY. B-DD-M8972-0			

8 7 6 5 4 3 2 1
SHO 1 MS#

8 6 5 4 3 2 1

THIS DRAWING AND THE SPECIFICATIONS CONTAINED HEREIN ARE CONFIDENTIAL AND PROPRIETARY. THEY ARE THE PROPERTY OF DIGITAL EQUIPMENT CORPORATION AND SHALL NOT BE REPRODUCED OR COPIED OR USED IN WHOLE OR IN PART AS THE BASIS FOR THE MANUFACTURE OR SALE OF ITEMS WITHOUT WRITTEN PERMISSION. THIS IS AN UNPUBLISHED WORK, PROTECTED UNDER THE FEDERAL COPYRIGHT LAWS.

REWORK INSTRUCTIONS:

ECC #1, SIDE 1:

COMPONENT DELETES:

- 1-1. DELETE W4-W8 P/N 1214314-00 QTY 5.
- 1-2. DELETE 10 WIRE WRAP PINS, P/N 9009149-00 AT W4-W8 LOCATIONS.

COMPONENT ADDS:

- 1-3. ADD FERRITE BEADS W4-W8 P/N 1621574-01.
- 1-4. ADD P/N 23235E4-00 IN E31 LOCATION.

D
C
B
A

D
C
B
A

REV B
D UA M8972-0-0

REVISION HISTORY		
REV	ECO NUMBER	DATE

TITLE		DOCUMENT NUMBER	
8085 MICROCOMPUTER		SIZE CODE	NUMBER
		D UA	M8972-0-0
SCALE	SHEET	REV	
1/8" = 1"	2 OF 2	B	

0 7 6 5 4 3 2 1 80 1

DWG 1370
EN-01284-16-REV A/286

LINE ITEM	DOCUMENT NUMBER	PART NUMBER	DESCRIPTION	QTY PER VARIATION	REFERENCE DESIGNATOR
1	6	D-MD-5015122-0-0	5015122-00	DRILL AND ETCH BRD	1
2	7		1012784-00	.047 MFD 50V +80-20% CER	14
3	8		1010274-01	.22 MFD 50V +80-20% Z5U CER	2
4	9		1012084-01	8 MFD 25V +75-10% AL EL	6
5	10		1013466-18	330.0 MMF 50V 5% CER	1
6	11		1001776-00	1 MFD 35V 10% S.TANT	1
7	12		1104860-00	VZ= 3.3 5% 400 MW 1N746A	2
8	13		1912844-00	LS151 MUX 1 OF 8 & DATA	2
9	14		1300295-00	330.0 .25 W 5.0 % CF	1
10	15		1300365-00	1.0 K .25 W 5.0 % CF	7
11	16		1301972-00	270.0 .25 W 5.0 % CF	1
12	17		1811660-00	OSCILLATOR, XTAL 20.000 MHZ	1
13	18		1811660-03	OSCILLATOR, XTAL 15.600 MHZ	1
14	19		1811660-07	OSCILLATOR, XTAL 21.840 MHZ	1
15	20		1811660-17	OSCILLATOR, XTAL 2.4576 MHZ	1
16	21		1811660-24	OSCILLATOR, XTAL 18.084 MHZ	1
17	22		1910322-00	DEC 1488L DRIVER, LINE, QUAD, EI	1
18	23		1910325-00	DEC 1489L RECEIVER, LINE, QUAD,	1
19	24		1910956-00	74S151 MUX 1 OF 8	2
20	25		1912799-00	LS00 NAND-GATE-QUAD 2IN,P	3
21	26		1912803-00	LS04 INVERTER GATE, HEX	1
22	27		1912810-00	LS20 NAND GATE-DUAL 4IN	1
23	28		1912816-00	LS32 OR GATE-QUAD 2IN, POS	1
24	29		1912824-00	LS74 FF-D DUAL, EDGE TRIGG	1
25	30		1912842-00	LS138 DECODER-THREE INPUT,	2
26	31		1911676-00	74S139 DECODER-DUAL TWO-INP	1
27	32		1912872-00	LS377 FF-D 8BIT W/ENABLE	1
28	33		1913294-00	93S16 COUNTER, SYNCH UP BI'	1
29	34		1913414-00	LS14 INVERTER GATE-HEX SC	1
30	35		1913670-00	74S373 LATCH, 8BIT TRANS TRI	1

REVISION HISTORY		BASIC PART NO: M8972		DRN:	C. LIVERATOS	DATE:	14-AUG-81	D I G I T A L			
ENG:	ECO NUMBER	REV	SECTION A OF A	CHK'D:	P. BOSSMAN	DATE:	21-SEP-82	TITLE PARTS LIST			
P.K.	INITIAL	A	SECTION VARIATION INDEX	DES. ENG:	P. KINZELMAN	DATE:	21-AUG-82	DOCUMENT NUMBER			
M.C.	M8972-SH001	B	[A] 00	RESP. ENG.:	M.D. CHRISTMAN	DATE:	21-AUG-82	SIZE	CODE	NUMBER	REV
			[B]	MFG. ENG.:	D. SWIFT	DATE:	20-AUG-82	K	PL	M8972-0-DBP	B
			[C]	ASSEMBLY NUMBER:	D-UA-M8972-0-0	TOP DOCUMENT NUMBER:	#B-DD-M8972-0	FILE NAME:		Z2771B.PLS	EDIT #
			[D]								28
			[E]								
			[F]								
			[H]								
			[J]								
			[K]								
			[L]								
			[M]								
			[N]								

"THIS DRAWING AND SPECIFICATIONS HEREIN, ARE THE PROPERTY OF DIGITAL EQUIPMENT CORPORATION AND SHALL NOT BE REPRODUCED OR COPIED OR USED IN WHOLE OR IN PART AS THE BASIS FOR THE MANUFACTURE OR SALE OF ITEMS WITHOUT WRITTEN PERMISSION. COPYRIGHT (C) 1983. DIGITAL EQUIPMENT CORPORATION "

AUTOMATED BY PRTLST.3P(44)

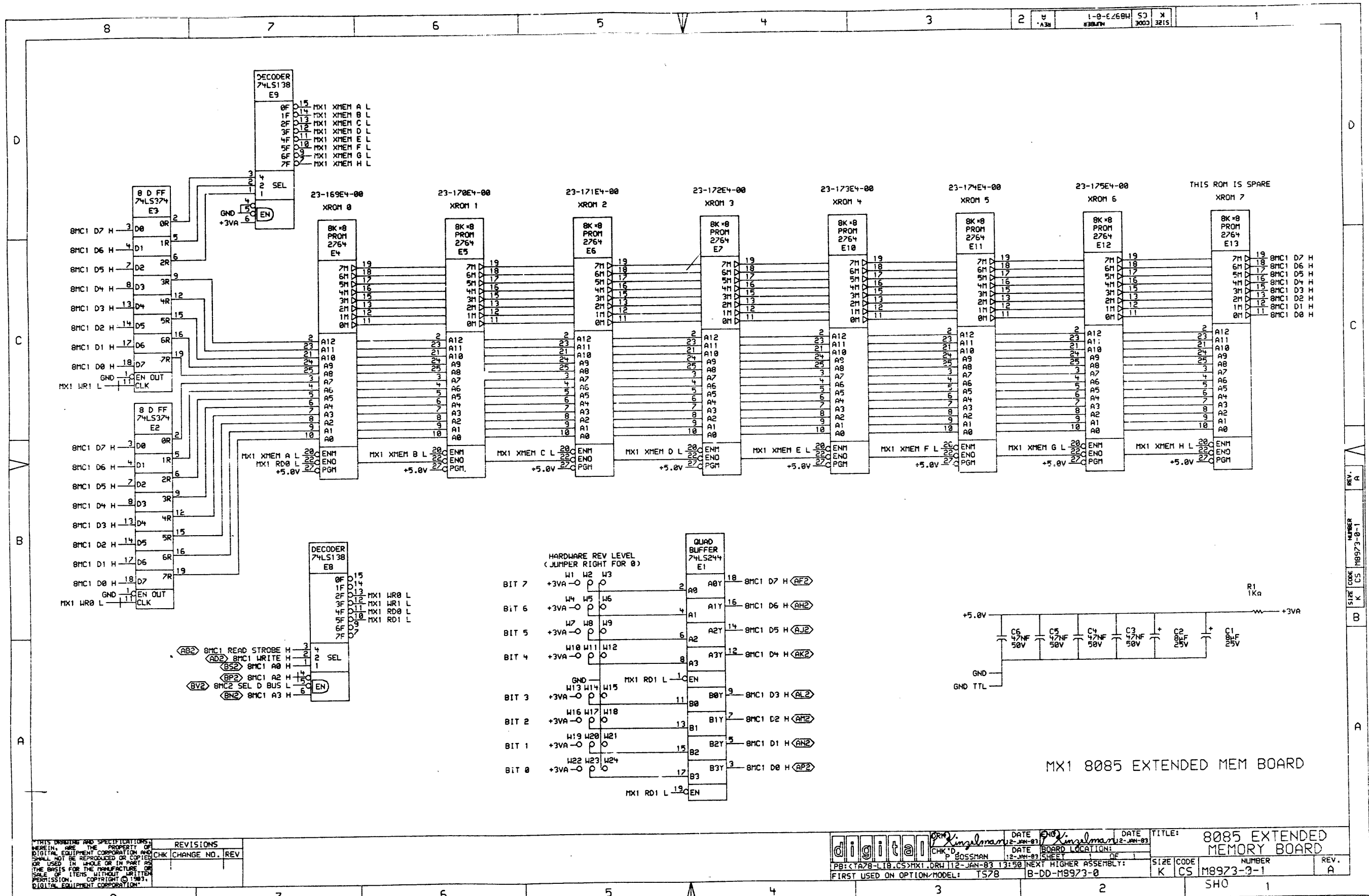
PARTS LIST

SHEET A2 OF A2

LINE	ITEM	DOCUMENT NUMBER	PART NUMBER	DESCRIPTION	QTY PER VARIATION 00	REFERENCE DESIGNATOR
31	36		1913777-00	LS240 DRIVER,LINE,OCTAL,T	1	E1
32	37		1914214-00	LS374 FF-D OCTAL EDGE TRIG	2	E5,E32
33	38		1914451-00	LS393 COUNTER,BINARY,4BIT	1	E11
34	39		1915193-00	LS244 DRIVER,LINE,OCTAL,T	2	E9,E13
35	40		1915218-00	LS245 TRANSCEIVER,BUS,OCT	2	E14,E18
36	41		2113107-01	P 8251A PUSART COMM. INTERFA	1	E2
37	42		2114963-00	UP,8-BIT NMOS	1	E22
38	43		2117872-01	RAM 2KX8 I/O MUXD 25	3	E4,E8,E12
39	44		1214314-00	CONN,P+S 02SKT(1X02).100CC JUM	2	W1,W3
40	45		23144E4-00	E4-06	1	E35
41	46		9008337-06	HANDLE, FLIP CHIP, MAGENTA	4	
42	47		9006732-00	EYELET,ROLLED 0.1210DX0.219	8	
43	48		1215006-07	SKT,IC 28PIN DIP TIN SOLD	6	XE26,XE31,XE35,XE39,XE43,XE47
44	49		1215006-08	SKT,IC 40PIN DIP TIN SOLD	1	XE22
45	50		9009149-00	PIN,STAKNG 0.0250DX0.345LG SQUAR	6	
46	51		1011740-05	1000.0 MMF 50V 10% CER	10	C20-C22,C24-C30
47	52		23143L4-00	E4-06	1	E39
48	53		23142E4-00	E4-06	1	E43
49	54		23141E4-00	E4-06	1	E47
50	55		1621574-01	BEAD,FERRITE	5	W4-W8
51	56		23235E4-00	E4-06	1	E31

52 NOTE: THIS ASSEMBLY CONTAINS ITEMS SENSITIVE TO ELECTROSTATIC DISCHARGE.
 53 NOTE: MAINTAIN PROCEDURES PER DEC STANDARD 067.
 54 NOTE: W4 THRU W8 ARE FERRITE BEADS (P/N 1621574-01).

D	I	G	I	T	A	L	TITLE	8085 MICRO COMPUTER	SECTION A OF A	SIZE	CODE	DOCUMENT NUMBER	REV
										K	PL	M8972-0-DBP	B



THIS DRAWING AND SPECIFICATIONS HEREAFTER ARE THE PROPERTY OF DIGITAL EQUIPMENT CORPORATION AND SHALL NOT BE REPRODUCED OR COPIED OR USED IN WHOLE OR IN PART AS THE BASIS FOR THE MANUFACTURE OR SALE OF ITEMS WITHOUT WRITTEN PERMISSION. COPYRIGHT © 1983 DIGITAL EQUIPMENT CORPORATION.

REVISIONS	CHK	CHANGE NO.	REV

	DATE: 12-31-81	DATE: 12-31-83	TITLE: 8085 EXTENDED MEMORY BOARD
	CHK'D: P. BOSSMAN	DATE: 12-31-83	BOARD LOCATION: 1 DE 1
PB: <TA78-L18.CS>MX1.0RH 112-JAN-83 13:50	NEXT HIGHER ASSEMBLY: B-DD-M9973-0	SIZE CODE: K CS	NUMBER: M8973-3-1
FIRST USED ON OPTION/MODEL: TS78			REV. A

REV. A
NUMBER M8973-0-1
SIZE CODE CS
K

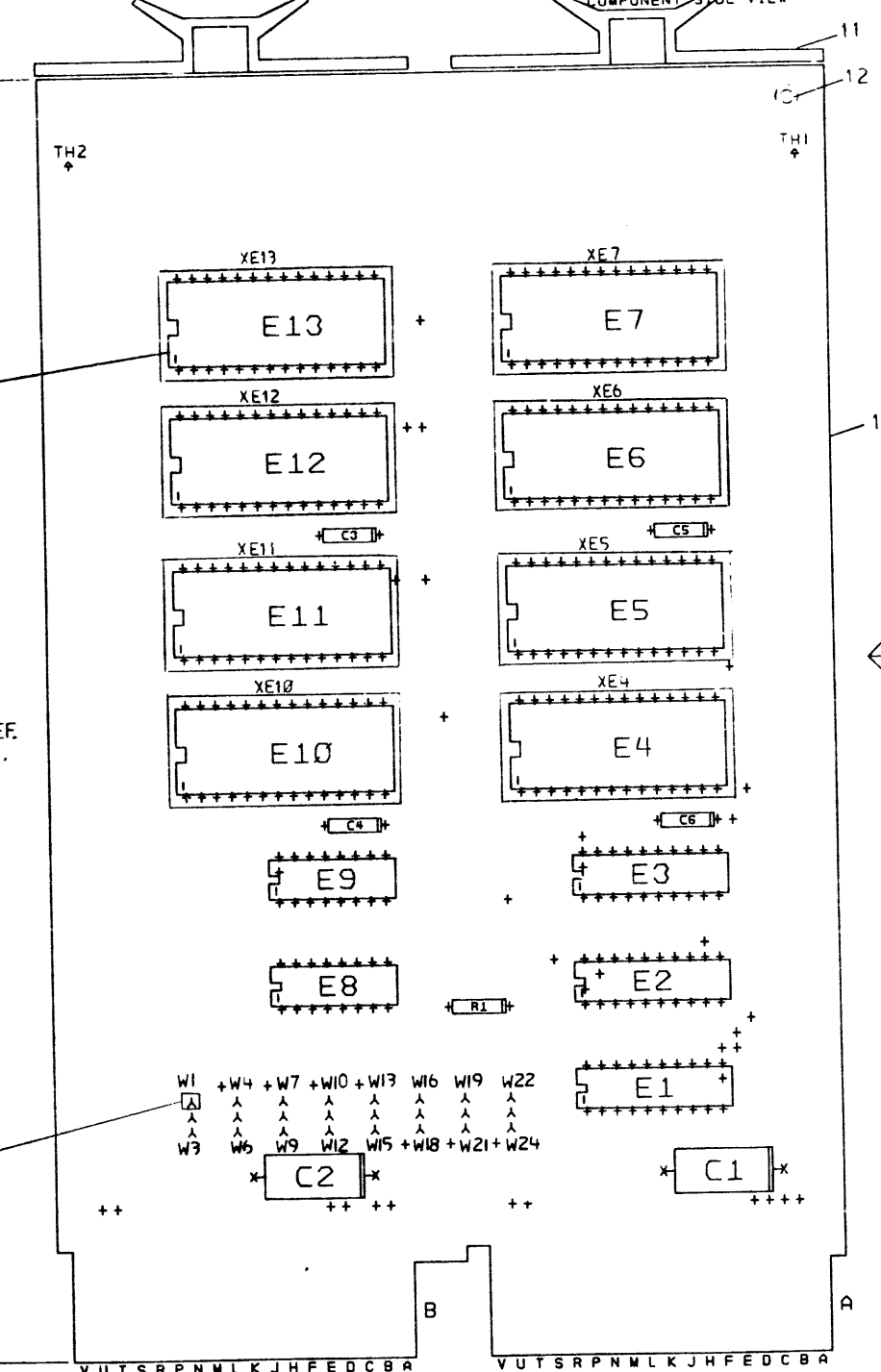
THIS DRAWING AND SPECIFICATIONS HEREIN ARE THE PROPERTY OF DIGITAL EQUIPMENT CORPORATION AND SHALL NOT BE REPRODUCED OR COPIED IN WHOLE OR IN PART OR IN ANY MANNER FOR THE MANUFACTURE OR SALE OF ITEMS WITHOUT WRITTEN PERMISSION. COPYRIGHT © 1983 DIGITAL EQUIPMENT CORPORATION

COMPONENT SIDE VIEW

SEE NOTE 1

8.41 REF. F.B.S.

9 TYP 24 PLACES



NOTES: 1. E13 IS A SPARE IC LOCATION.

STEP E	→ Y AXIS	← STEP	→ TIMES
REPEAT	→ X AXIS	5.250	STEP 1 TIMES

CHANGE NO	REV

ETCH REV. A

SIGNATURES		DATE	digital
DRN. <i>Stada Paterson</i>		9/4/82	
CHK'D. <i>W. Peterson</i>		6/27/82	TITLE 8085 EXTENDED MEMORY BOARD
MECH. ENG. <i>W. Peterson</i>	4M	11/17/82	
PROJ. ENG. <i>W. Peterson</i>	4M	7/2/82	
PRGD. <i>W. Peterson</i>		12/2/82	
SCALE 2:1	SIZE CODE	NUMBER	REV
SHT. 1 OF 1	D U A	M 8973-0-0	A
NEXT HIGHER ASSY. B-DD-M8973-0			SHO 1 MS#

11 10 9 8 7 6 5 4 3 2 1
 A B C D
 D U A M 8973-0-0 A

AUTOMATED BY PRTLST.4Q(47)

PARTS LIST

SHEET A1 OF A1

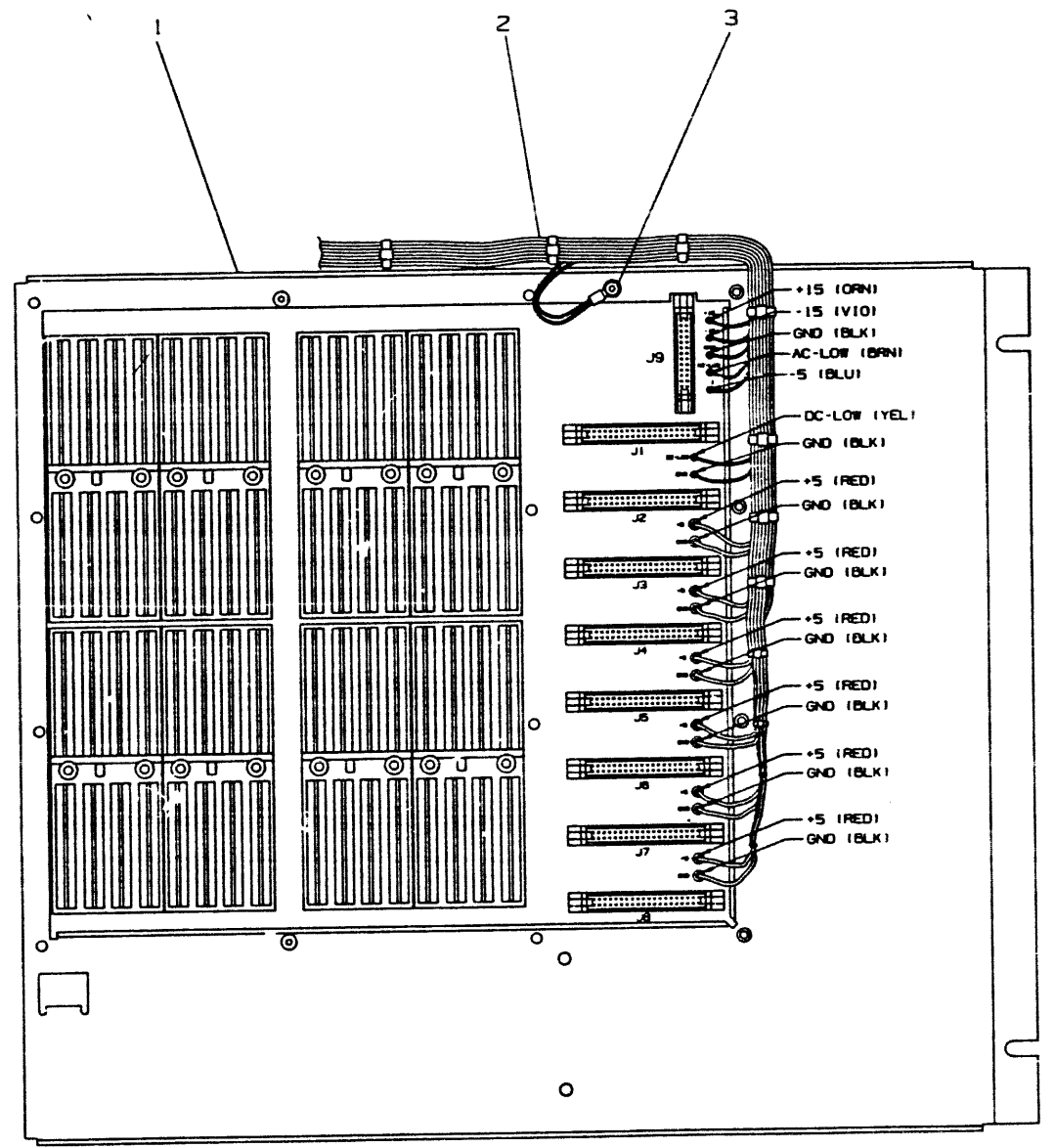
LINE	ITEM	DOCUMENT NUMBER	PART NUMBER	DESCRIPTION	QTY PER VARIATION 00	REFERENCE DESIGNATOR
1	1	D-MD-5015648-0-0	5015648-00	CIRCUIT DRILL AND ETCH	1	
2	2		1012084-01	8 MFD 25V +75-10% AL EL	2	C1,C2
3	3		1012784-00	.047 MFD 50V +80-20% CER	4	C3-C6
4	5		1300365-00	1.0 K .25 W 5.0 % CF	1	R1
5	6		1912842-00	LS138 DECODER-THREE INPUT,	2	E8,E9
6	7		1914214-00	LS374 FF-D OCTAL EDGE TRIG	2	E2,E3
7	8		1915193-00	LS244 DRIVER,LINE,OCTAL,T	1	E1
8	9		9009149-00	PIN,STAKNG 0.0250DX0.345LG SQUAR	24	W1-W24
9	11		9008337-06	HANDLE, FLIP CHIP, MAGENTA	2	
10	12		9006732-00	EYELET,ROLLED 0.1210DX0.219	4	
11	13		23169E4-00	E4-06	1	E4
12	14		23170E4-00	E4-06	1	E5
13	15		23171E4-00	E4-06	1	E6
14	16		23172E4-00	E4-06	1	E7
15	17		23173E4-00	E4-06	1	E10
16	18		23174E4-00	E4-06	1	E11
17	19		23175E4-00	E4-06	1	E12
18	20		1215006-07	SKT,IC 28PIN DIP TIN SOLD	8	XE4-XE7,XE10-XE13

REVISION HISTORY		BASIC PART NO: M8973		DRN: P.KINZELMAN	DATE: 06-OCT-82	D I G I T A L			
ENG:	ECO NUMBER	REV	SECTION A OF A	CHK'D: P.BOSSMAN	DATE: 06-OCT-82	TITLE PARTS LIST			
P.K.	INITIAL	A	SECTION VARIATION INDEX	DES.ENG: P.KINZELMAN	DATE: 06-OCT-82	8085 EXTENDED MEMORY BOARD			
			[A] 00	RESP.ENG.: D.CHRISTMAN	DATE: 06-OCT-82	DOCUMENT NUMBER			
			[B]	MFG.ENG.: DOUG SWIFT	DATE: 06-OCT-82	SIZE	CODE	NUMBER	REV
			[C]	ASSEMBLY NUMBER:	TOP DOCUMENT NUMBER:	K	PL	M8973-0-DBP	A
			[D]	D-UA-M8973-0-0	#B-DD-M8973-0	FILE NAME:		EDIT #	
			[E]			Z5290A.PLS		10	
			[F]						
			[H]						
			[J]						
			[K]						
			[L]						
			[M]						
			[N]						

"THIS DRAWING AND SPECIFICATIONS HEREIN, ARE THE PROPERTY OF DIGITAL EQUIPMENT CORPORATION AND SHALL NOT BE REPRODUCED OR COPIED OR USED IN WHOLE OR IN PART AS THE BASIS FOR THE MANUFACTURE OR SALE OF ITEMS WITHOUT WRITTEN PERMISSION. COPYRIGHT (C) 1983. DIGITAL EQUIPMENT CORPORATION "

THIS DRAWING AND SPECIFICATIONS, HEREINAFTER THE PROPERTY OF DIGITAL EQUIPMENT CORPORATION AND SHALL NOT BE REPRODUCED OR COPIED OR USED IN WHOLE OR IN PART AS THE BASIS FOR THE MANUFACTURE OF BUILT OR FOR THE REPRODUCTION OF ANY PART THEREOF WITHOUT WRITTEN PERMISSION OF DIGITAL EQUIPMENT CORPORATION © 1964

LEGEND		
PART NO.	REV	VARIATION
7020415-01	A1	AS SHOWN



CAUTION
OFF SHEET PARTS LIST EXISTS
SEE K-PL-7020415-0-DBP

REV	DATE	INITIAL

DESCRIPTION	QUANTITY	UNIT	REVISION	DATE	BY	CHKD	APP'D
E-1A-1578-0-DBU	1						
<p>UNLESS OTHERWISE SPECIFIED DIMENSIONS ARE IN INCHES AND THE FOLLOWING TOLERANCES APPLY (PER DEC STD 114)</p> <p>FINISH: NONE</p> <p>DO NOT SCALE DRAWING</p> <p>REMOVE BURRS AND BREAK SHARP CORNERS</p> <p>SEE PARTS LIST</p> <p>FINISH: NONE</p>							
<p>DESCRIPTION: WIRED & HARNESS ASSEMBLY</p>				<p>DOCUMENT NUMBER: E-1A-7020415-0-DBU A</p>			

AUTOMATED BY PR1LS1.5R(55)

P A R T S L I S T

SHEET A1 OF A1

LINE ITEM	TOP DOCUMENT	PART NUMBER	MIN REV	DESCRIPTION	QTY PER VARIATION
1	1	E-IA-7020414-0-DBU	7020414-01	WIRED ASSEMBLY	1
2	2	E-IA-7017139-0-0	7017139-00	HARNESS POWER TM78	1
3	3		9006560-00	NUT,HEX EXT TOOTH LCKWSHR 6-32	1

REVISION HISTORY			BASIC PART NO: 7020415		
ENG	ECC NUMBER	REV	SECTION A OF A	IDRN: H.A.OLSON	DATE: 20-MAR-84
	INITIAL	A	SECTION.VARIATION INDEX CA101	CHK'D: M.A.CHRISTMAN	DATE: 20-MAR-84
			[B]	DES.ENG: H.A.OLSON	DATE: 20-MAR-84
			[C]	RESP.ENG.: M.A.CHRISTMAN	DATE: 20-MAR-84
			[D]	MFG.ENG.: THOM CLARK	DATE: 20-MAR-84
			[E]	ASSEMBLY NUMBER: E-IA-7020415-0-DBU	TOP DOCUMENT NUMBER: E-UA-TS78-0-DBU
			[F]		FILE NAME: Z5928A.PLS
					RELEASE DATE: 13-APR-84
					DOCUMENT NUMBER K PL 7020415-0-DBP
					SIZE CODE NUMBER REV A
					EDIT # 2

"THIS DRAWING AND THE SPECIFICATIONS CONTAINED HEREIN ARE CONFIDENTIAL AND PROPRIETARY. THEY ARE THE PROPERTY OF DIGITAL EQUIPMENT CORPORATION AND SHALL NOT BE REPRODUCED OR COPIED OR USED IN WHOLE OR IN PART AS THE BASIS FOR THE MANUFACTURE OR SALE OF ITEMS WITHOUT WRITTEN PERMISSION. THIS IS AN UNPUBLISHED WORK PROTECTED UNDER THE FEDERAL COPYRIGHT LAWS."

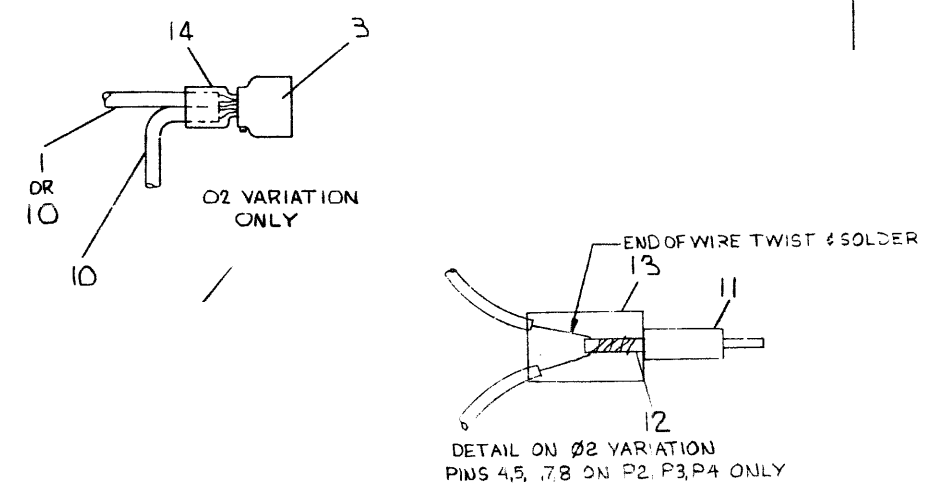
SHO

THIS DRAWING AND SPECIFICATIONS HEREIN ARE THE PROPERTY OF DIGITAL EQUIPMENT CORPORATION AND SHALL NOT BE REPRODUCED OR COPIED OR USED IN WHOLE OR IN PART AS THE BASIS FOR THE MANUFACTURE OR SALE OF ITEMS WITHOUT WRITTEN PERMISSION. COPYRIGHT © 1983 DIGITAL EQUIPMENT CORPORATION.

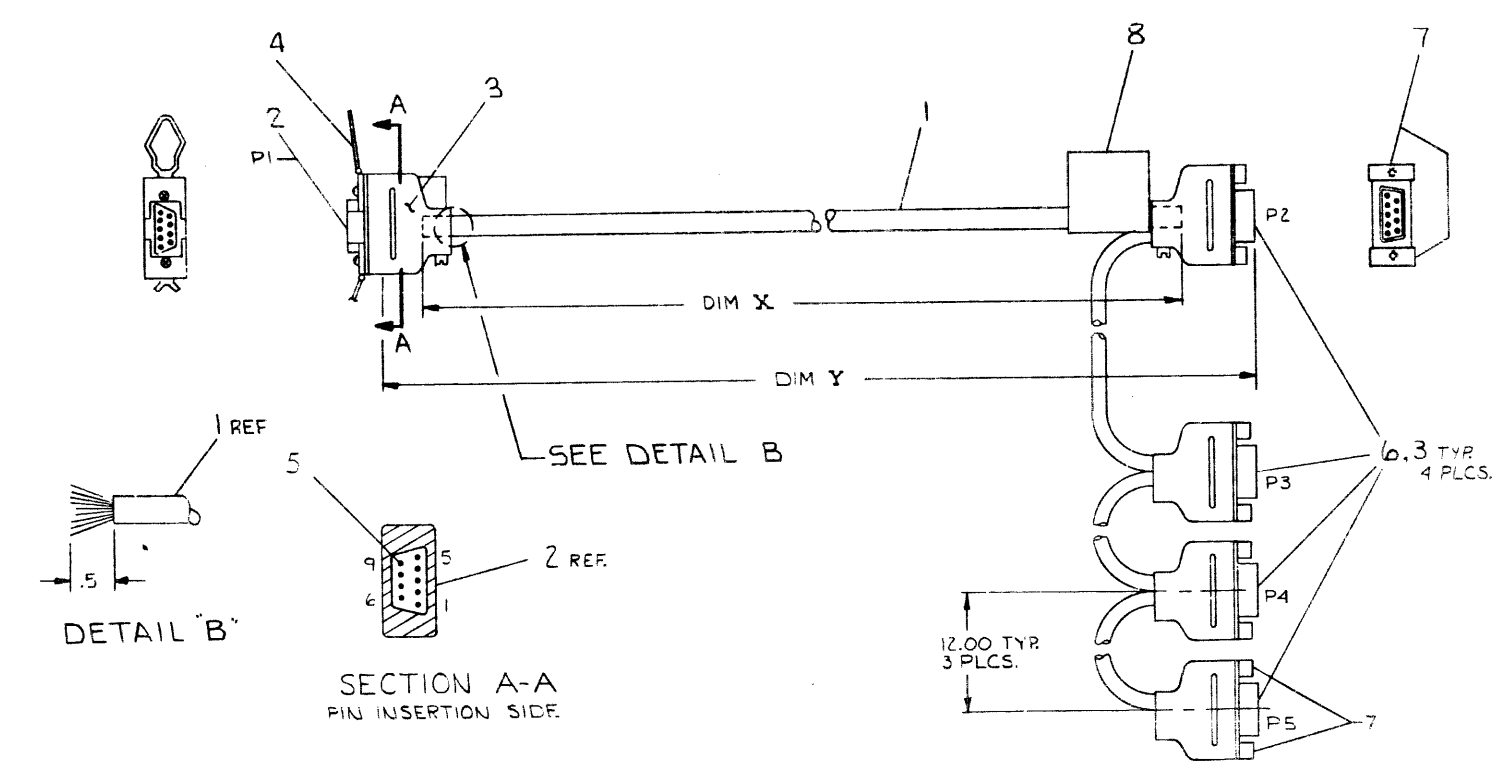
WIRE TABLE							
ITEM NO.	DESCRIPTION	FROM	TO	SIGNAL NAMES			
AWG	COLOR	CONN	WITH	CONN	WITH		
1	24	RED	P1-1	ITEM 5	P2-1	ITEM 6	JOY +V
		BLK	P1-2		P2-2		JOY -V
		BLU	P1-4		P2-4		JOY X
		ORN	P1-5		P2-5		JOY Y
		SHIELD	P1-6		P2-6		GND
		WHT	P1-7		P2-7		SW SUP
1	24	GRN	P1-8		P2-8		SW RTN
10	22	BLK	P2-4		P3-4		JOY X
		RED	P2-5		P3-5		JOY Y
		WHT	P2-7		P3-7		SW SUP
		GRN	P2-8		P3-8		SW RTN
		BLK	P3-4		P4-4		JOY X
		RED	P3-5		P4-5		JOY Y
		WHT	P3-7		P4-7		SW SUP
		GRN	P3-8		P4-8		SW RTN
		BLK	P4-4		P5-4		JOY X
		RED	P4-5		P5-5		JOY Y
		WHT	P4-7		P5-7		SW SUP
10	22	GRN	P4-8	ITEM 5	P5-8	ITEM 6	SW RTN

LEGEND		
NUMBER	DIM X	DIM Y
7019475-01	50 FT Ø IN	50 FT 2 IN ± 1 IN
7019475-02	50 FT Ø IN	50 FT 2 IN ± 1 IN

NOTES:
1. ITEM 9 IS USED TO INSULATE SHIELD (DRAIN WIRE) OF ITEM 1 BOTH ENDS.



SEE NOTE 1



SEE OFF SHEET PARTS LIST
K-PL-7019475-0-DBP

DESCRIPTION	DRAWING NO.	PART NO.	ITEM NO.						
7019475-02	7019475-01								
UNLESS OTHERWISE SPECIFIED DIMENSIONS ARE IN INCHES AND THE FOLLOWING TOLERANCES APPLY (PER DEC STD 114)									
DIMENSION RANGE IN INCHES									
INCHES TOLERANCES	ANGLES ± 0°30'	APPLICABLE DIMENSION RANGE (CHECK ONE)	DIMENSION RANGE IN INCHES						
X ± .1	SURFACE QUALITY	<input type="checkbox"/> ± .02 <input type="checkbox"/> ± .04 <input type="checkbox"/> ± .08 <input type="checkbox"/> ± .12 <input type="checkbox"/> ± .16 <input type="checkbox"/> ± .20 <input type="checkbox"/> ± .25 <input type="checkbox"/> ± .312 <input type="checkbox"/> ± .375 <input type="checkbox"/> ± .4375 <input type="checkbox"/> ± .500	OVER 0 TO 0.2	OVER 0.2 TO 1.2	OVER 1.2 TO 4.0	OVER 4.0 TO 12.0	OVER 12.0 TO 40.0	OVER 40.0 TO 60.0	
XX ± .02			± .04	± .08	± .12	± .16	± .20	± .25	± .312
XXX ± .008			± .008	± .012	± .016	± .024	± .032	± .040	± .050
THIRD ANGLE PROJECTION	DATE 17-JAN-83	TITLE	digital						
DO NOT SCALE DRAWING	DATE 13-MAY-83	CABLE, JOYSTICK							
REMOVE BURRS AND BREAK SHARP CORNERS	DATE 13-MAY-83	DOCUMENT NUMBER							
MATERIAL	DATE	SIZE CODE	DIA 7019475-0-0 A						
FINISH	DATE	NUMBER							
	TOP DOC NO. D-UA-VS11 J-0	SCALE	SHEET 1 OF 1						

REV	ECO NUMBER	DATE

LINE	ITEM	DOCUMENT NUMBER	PART NUMBER	DESCRIPTION	QUANTITY PER VARIATION	
					01	02
1	1	SEE NOTE 15	9107733-00	CABLE,RND 06COND 24AWG BRAIDSHL	50	50
2	2		1211244-01	CONN,D SUB 9SKT HSG	1	1
3	3		1211245-01	CONN,D SUB 9POS HOOD STRAIGHT P	2	5
4	4		1212702-00	CONN,D SUB SPRING LATCH ASSY	1	1
5	5		1212583-01	CONN,D SUB SKT CRIMP 18AWG	7	7
6	6		1210493-53	CONN,D SUB 9PIN HSG STRAIGHT	1	4
7	7		1221853-01	LATCH,SLIDE,ASSY	1	4
8	8		3616073-00	LABEL,ID W/COPY VERTICAL	1	1
9	9		9107278-11	TUBING,TEFLON .042ID	A/R	A/R
10	10	SEE NOTE 15	9107706-00	CABLE,RND 04COND 2AWG UNSHLDDED	0	4
11	11		1210493-39	CONN,D SUB PIN CRIMP 24-20AWG	7	28
12	12		9107560-01	WIRE,BUSS 22AWG TIN BARE	0	A/R
13	13		9107254-00	TUBING,SHRINK .187ID EXP	A/R	A/R
14	14		9107685-00	TUBING,SHRINK .500ID EXP	0	A/R

15 NOTE: QTY SPECIFIED IN FEET

REVISION HISTORY			BASIC PART NO: 7019475			D I G I T A L		
ENG	ECO NUMBER	REV	SECTION A OF A	DRN:	D. DIPERRI	DATE:	17-JAN-83	
	INITIAL	A	SECTION. VARIATION INDEX	CHK'D:	D. DIPERRI	DATE:	22-APR-83	TITLE
			[A] 01,02					PARTS LIST
			[B]	DES.ENG.:	J. PERKINS	DATE:	17-JAN-83	
			[C]	RESP.ENG.:	J. PERKINS	DATE:	22-APR-83	DOCUMENT NUMBER
			[D]					SIZE CODE NUMBER REV
			[E]	MFG.ENG.:	A. ELLIS	DATE:	22-APR-83	K PL 7019475-0-DBP A
			[F]	ASSEMBLY NUMBER:		TOP DOCUMENT NUMBER:		FILE NAME: EDIT #
				D-IA-7019475-0-0				9475.PLS 6
<p>*THIS DRAWING AND SPECIFICATIONS HEREIN, ARE THE PROPERTY OF DIGITAL EQUIPMENT CORPORATION AND SHALL NOT BE REPRODUCED OR COPIED OR USED IN WHOLE OR IN PART AS THE BASIS FOR THE MANUFACTURE OR SALE OF ITEMS WITHOUT WRITTEN PERMISSION. COPYRIGHT (C) 1983. DIGITAL EQUIPMENT CORPORATION *</p>								

NU

